

Pressure gauges with inductive contact model 831,
for hazardous areas

EN

Manometer mit Induktivkontakt Typ 831,
für explosionsgefährdete Bereiche

DE

Manomètres avec contact inductif type 831,
pour zones dangereuses

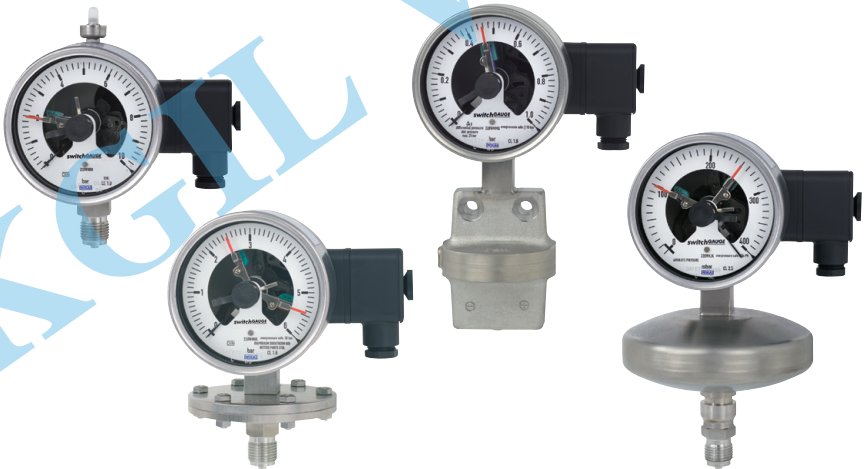
FR

Manómetros con contacto inductivo modelo 831,
para zonas potencialmente explosivas

ES



Examples for pressure gauges with inductive contact model 831



Model PGS23

Model PGS43

Model DPGS43

Model 532.54

EN	Operating instructions for pressure gauges with contact model 831 for hazardous areas	Page	3 - 32
DE	Betriebsanleitung für Kontaktmanometer mit Kontakttyp 831 für explosionsgefährdete Bereiche	Seite	33 - 62
FR	Mode d'emploi type pour manomètres avec contact inductif type 831, pour zones dangereuses	Page	63 - 92
ES	Manual de instrucciones para manómetros con contacto inductivo modelo 831, para zonas potencialmente explosivas	Página	93 - 122

© 06/2019 WIKA Alexander Wiegand SE & Co. KG
 All rights reserved. / Alle Rechte vorbehalten.
 WIKA® is a registered trademark in various countries.
 WIKA® ist eine geschützte Marke in verschiedenen Ländern.

Prior to starting any work, read the operating instructions!
 Keep for later use!

Vor Beginn aller Arbeiten Betriebsanleitung lesen!
 Zum späteren Gebrauch aufbewahren!

Lire le mode d'emploi avant de commencer toute opération !
 A conserver pour une utilisation ultérieure!

¡Leer el manual de instrucciones antes de comenzar cualquier trabajo!
 ¡Guardar el manual para una eventual consulta!

Contents

1. General information	4
2. Design and function	5
2.1 Overview	5
2.2 Description	5
2.3 Scope of delivery	5
3. Safety	6
3.1 Explanation of symbols	6
3.2 Intended use	6
3.3 Improper use	7
3.4 Responsibility of the operator	7
3.5 Personnel qualification	8
3.6 Skilled personnel	8
3.7 Labelling, safety marks	8
3.8 Ex marking	9
3.9 Specifications and temperature limits	9
3.10 Special conditions for safe use (X conditions)	11
4. Transport, packaging and storage	11
4.1 Transport	11
4.2 Packaging and storage	12
5. Commissioning, operation	12
5.1 Mechanical connection	13
5.2 Electrical connection	16
5.3 Adjusting the set pointers	18
5.4 Commissioning	18
6. Faults	18
7. Maintenance and cleaning	20
7.1 Maintenance	20
7.2 Cleaning	20
8. Dismounting, return and disposal	21
8.1 Dismounting	21
8.2 Return	21
8.3 Disposal	22
9. Specifications	23
9.1 Standard cable socket (only NS 100 and 160)	23
9.2 Cable outlet (only NS 50 and 63)	23
9.3 Inductive contact model 831	23
9.4 Associated isolating amplifiers	24
9.5 Contact pressure gauges	25
Annex: EU declaration of conformity	115

Declarations of conformity can be found online at www.wika.com.

1. General information

1. General information

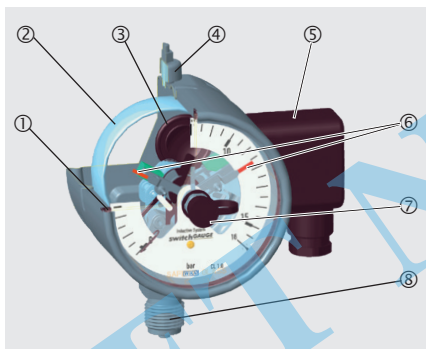
- The contact pressure gauge described in the operating instructions has been designed and manufactured using state-of-the-art technology. All components are subject to stringent quality and environmental criteria during production. Our management systems are certified to ISO 9001 and ISO 14001.
- These operating instructions contain important information on handling the instrument. Working safely requires that all safety instructions and work instructions are observed.
- Observe the relevant local accident prevention regulations and general safety regulations for the instrument's range of use.
- The operating instructions are part of the product and must be kept in the immediate vicinity of the instrument and readily accessible to skilled personnel at any time.
- Skilled personnel must have carefully read and understood the operating instructions prior to beginning any work.
- The manufacturer's liability is void in the case of any damage caused by using the product contrary to its intended use, non-compliance with these operating instructions, assignment of insufficiently qualified skilled personnel or unauthorised modifications to the instrument.
- The general terms and conditions contained in the sales documentation shall apply.
- Subject to technical modifications.
- Further information:
 - Internet address: www.wika.de / www.wika.com
 - Relevant data sheet:
 - PM 01.03 (model 111.11.050)
 - PM 01.05 (model 131.11.050)
 - PV 22.02 (models PGS23.1x0, PGS26.1x0)
 - PV 22.03 (models PGS23.063, PGS26.063)
 - PV 24.03 (model PGS43.1x0)
 - PV 27.05 (model DPGS43.1x0)
 - PV 27.13 (model DPGS43HP.1x0)
 - PM 02.11 (model 232.35.063)
 - PV 24.07 (model 432.56)
 - PV 25.02 (model 532.54)
 - PV 26.06 (model 632.51)
 - PM 07.08 (model 736.51)

2. Design and function

2.1 Overview

Example, model PGS23.100, version "S1" per EN 837

- ① Laminated safety glass
- ② Pressure element
- ③ Plug of the blow-out device
- ④ Pressure compensating valve
- ⑤ Electrical connection with cable box
- ⑥ Set pointer
- ⑦ Adjustment lock
- ⑧ Process connection



2.2 Description

These pressure gauges with inductive contact(s) have been designed specifically for applications in hazardous areas.

WIKA manufactures and qualifies these instruments following EN 837 (gauge pressure), DIN 16002 (absolute pressure), DIN 16003 (differential pressure) and DIN 16085 (switch contacts) in the versions "S1" and "S3".

Version "S1" per EN 837

This version is designed with a blow-out device at the case.

Safety version "S3" per EN 837

This version is made up of laminated safety glass, a solid baffle wall between measuring system and dial and a blow-out back. In the event of a failure, the operator is protected at the front side, as media or components can only be ejected via the back of the case.

Switch contact model 831

The built-in electrical inductive contacts are non-contact slot-type inductive proximity sensors, which are powered from switching amplifiers with certified intrinsically safe circuits. On exceeding the adjustable limit values, their output circuits are either opened or closed.

2.3 Scope of delivery

Cross-check scope of delivery with delivery note.

3. Safety

3.1 Explanation of symbols

**WARNING!**

... indicates a potentially dangerous situation that can result in serious injury or death, if not avoided.

**CAUTION!**

... indicates a potentially dangerous situation that can result in light injuries or damage to property or the environment, if not avoided.

**DANGER!**

... identifies hazards caused by electrical power. Should the safety instructions not be observed, there is a risk of serious or fatal injury.

**WARNING!**

... indicates a potentially dangerous situation in the hazardous area that results in serious injury or death, if not avoided.

**WARNING!**

... indicates a potentially dangerous situation that can result in burns, caused by hot surfaces or liquids, if not avoided.

**Information**

... points out useful tips, recommendations and information for efficient and trouble-free operation.

3.2 Intended use

These instruments are used to control process values and to monitor plants in industrial applications. The contact pressure gauge, with up to 3 integrated model 831 inductive contacts, displays the process pressure on site and opens/closes circuits at defined pressure values.

The instrument offers many application possibilities for gaseous and liquid aggressive media that are not highly viscous or crystallising.

Only use the instrument in applications that lie within its technical performance limits (e.g. temperature limits, material compatibility, ...).

→ For performance limits see chapter 9 “Specifications”.

The instrument has been designed and built solely for the intended use described here, and may only be used accordingly.

The manufacturer shall not be liable for claims of any type based on operation contrary to the intended use.

3.3 Improper use



WARNING!

Injuries through improper use

Improper use of the instrument can lead to hazardous situations and injuries.

- ▶ Refrain from unauthorised modifications to the instrument.
- ▶ Do not use the instrument with abrasive or viscous media.

Exceptions are diaphragm pressure gauges (models PGS43 and 432.56) with specially coated diaphragms (abrasive) or versions with open connecting flanges (viscous).

Any use beyond or different to the intended use is considered as improper use.

3.4 Responsibility of the operator

The instrument is used in the industrial sector. The operator is therefore responsible for legal obligations regarding safety at work.

The safety instructions within these operating instructions, as well as the safety, accident prevention and environmental protection regulations for the application area must be maintained.

The operator is obliged to maintain the product label in a legible condition.

To ensure safe working on the instrument, the operating company must ensure

- that suitable first-aid equipment is available and aid is provided whenever required.
- that the operating personnel are regularly instructed in all topics regarding work safety, first aid and environmental protection and know the operating instructions and in particular, the safety instructions contained therein.
- that the instrument is suitable for the particular application in accordance with its intended use.
- that personal protective equipment is available.



On the wetted parts of the instrument, small residual amounts of the adjustment medium (e.g. compressed air, water, oil) can adhere from production. With increased requirements for technical cleanliness, suitability for the application must be checked by the operator before commissioning.



Liquid media with the property of changing the volume during solidification can damage the measuring system (e.g. water if it falls below the freezing point).

3. Safety

3.5 Personnel qualification



WARNING!

Risk of injury should qualification be insufficient!

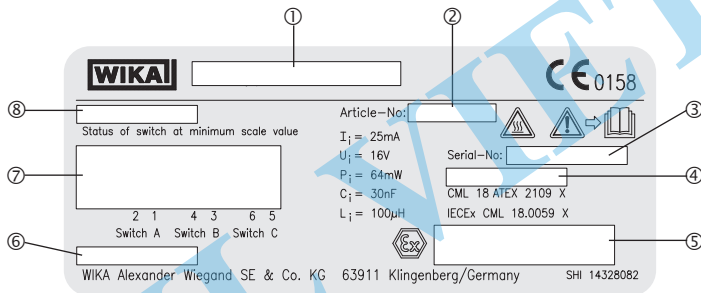
Improper handling can result in considerable injury and damage to equipment. The activities described in these operating instructions may only be carried out by skilled personnel who have the qualifications described below.

3.6 Skilled personnel

Skilled personnel are understood to be personnel who, based on their technical training, knowledge of measurement and control technology and on their experience and knowledge of country-specific regulations, current standards and directives, are capable of carrying out the work described and independently recognising potential hazards.

3.7 Labelling, safety marks

Product label (example)



- ① Model + contact version
- ② Article number
- ③ Serial number
- ④ Date of manufacture (month/year)
- ⑤ Ex marking
- ⑥ Case filling
- ⑦ Pin assignment
- ⑧ Switch contact model and switching function



Before mounting and commissioning the instrument, ensure you read the operating instructions!



Risk of burns!

Potentially dangerous situation caused by hot surfaces.



The instrument bearing this mark is a safety pressure gauge with a solid baffle wall in accordance with EN 837, safety version "S3".

3. Safety



Do not dispose of with household waste. Ensure a proper disposal in accordance with national regulations.

3.8 Ex marking



DANGER!

Danger to life due to loss of explosion protection

Non-observance of these instructions and their contents may result in the loss of explosion protection.

- ▶ Observe the safety instructions in this chapter and further explosion protection instructions in these operating instructions.
- ▶ Observe the information given in the applicable type examination certificate and the relevant country-specific regulations for installation and use in hazardous areas (e.g. IEC 60079-14, NEC, CEC).

Check whether the classification is suitable for the application. Observe the relevant national regulations.

Instruments without PTFE lining

Ex area	Nominal size	ATEX	IECEx
Zone 1 gas	NS 50, 63, 100, 160	II 2G	Ex ia IIC T6/T5/T4 Gb
Zone 21 dust	NS 50, 63	II 2D	Ex ia IIIB T95°C/T135°C Db
Zone 21 dust	NS 100, 160	II 2D	Ex ia IIIB T135°C Db

Instruments with PTFE lining

Option with models: PGS43.1x0, 432.56

Ex area	ATEX	IECEx
Zone 1 gas	II 2G	Ex ia IIB T6/T5/T4 Gb

3.9 Specifications and temperature limits

Ingress protection per IEC/EN 60529

For information on the ingress protection of the respective instrument, see chapter 9 "Specifications". For the IECEx assessment, IP20 ingress protection was assumed.

Permissible temperature range

For determining the maximum temperature at the instrument, besides the medium temperature also other influences such as the ambient temperature and, if applicable, the solar irradiation must be taken into account.

3. Safety

Gas hazardous area

Required temperature class (ignition temperature)	Permissible temperature range at the instrument
T6	-20 ... +60 °C
T5 ... T1	-20 ... +70 °C

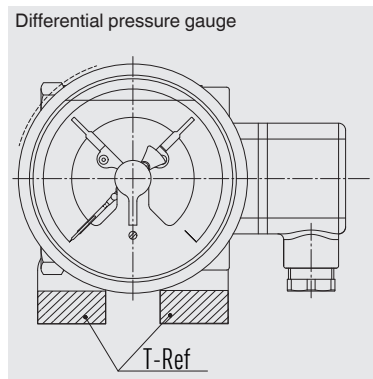
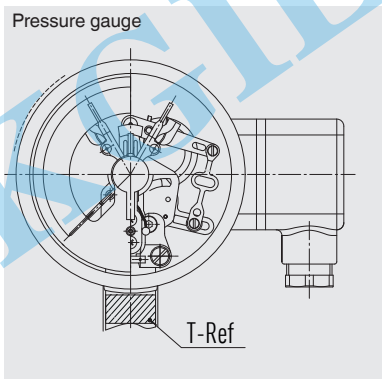
Dust hazardous area

Maximum surface temperature	Permissible temperature range at the instrument
T135°C	-20 ... +60 °C (+70 °C optional)
T95°C (only with NS 63)	-20 ... +60 °C (+70 °C optional)

The installation should be made in such a way that the temperature range of the instrument, also considering the effects of convection and thermal radiation, neither exceeds nor falls below the permissible limits.

The permissible temperature ranges of the contact models must not be exceeded at the instrument either. If necessary, measures for cooling (e.g. syphon, instrumentation valve, diaphragm seal etc.) have to be taken.

Compliance with the permissible temperature range during operation must be ensured by the operator. The area shown in the following picture under "T-Ref" can be used for this purpose.



3.10 Special conditions for safe use (X conditions)

- i. The temperature class and permitted maximum ambient temperature, are dependent upon the options fitted within the equipment and may not be marked on the equipment label. The user shall refer to this certificate and to the equipment instructions for details of the applicable temperature class and ambient temperature range.
- ii. The user shall consider that heat may be transferred along the measuring instrument and the equipment shall not exceed the maximum permitted ambient temperature. For further information, refer to the user instructions.
- iii. Models which incorporate a PTFE lining may be marked for use in Group IIB only. The user shall ensure that such models marked as such are not used in Group IIC Gas nor Group III dust hazardous areas.
- iv. Models which incorporate a PTFE lining may be marked for use in Group IIC gas and Group IIIB dust hazardous area. Such models also incorporate a warning label advising the user of a potential electro-static hazard within the process connection area. The user shall take all necessary precautions to mitigate the risk of electro-static discharge within the process connection.
- v. The equipment may incorporate an integral cable. The user shall ensure that, when installed, the cable is fixed in place and is protected from mechanical damage.
- vi. For Group III applications, under certain extreme circumstances, the non-metallic coating of the enclosure of this equipment may generate an ignition-capable level of electrostatic charge. Therefore, the equipment shall not be installed in a location where the external conditions are conducive to the build-up of electrostatic charge on such surfaces. The user/installer shall implement precautions to prevent the build-up of electrostatic charge, e.g. locate the equipment where a charge-generating mechanism (such as wind-blown dust) is unlikely to be present and clean with a damp cloth.

4. Transport, packaging and storage

4.1 Transport

Check the instrument for any damage that may have been caused by transport. Obvious damage must be reported immediately.



CAUTION!

Damage through improper transport

With improper transport, a high level of damage to property can occur.

- ▶ When unloading packed goods upon delivery as well as during internal transport, proceed carefully and observe the symbols on the packaging.
- ▶ With internal transport, observe the instructions in chapter 4.2 "Packaging and storage".



Shocks can cause small bubbles to form in the fill fluid of filled instruments. This has no effect on the function of the instrument.

4.2 Packaging and storage

Do not remove packaging until just before mounting.

Keep the packaging as it will provide optimum protection during transport (e.g. change in installation site, sending for repair).

Permissible conditions at the place of storage:

Storage temperature: -20 ... +70 °C

Avoid exposure to the following factors:

- Direct sunlight or proximity to hot objects
- Mechanical vibration, mechanical shock (putting it down hard)
- Soot, vapour, dust and corrosive gases
- Hazardous environments, flammable atmospheres

Store the instrument in its original packaging in a location that fulfils the conditions listed above.

5. Commissioning, operation

Personnel: Skilled personnel

Before installation, commissioning and operation, ensure that the appropriate instrument has been selected in terms of scale range, design and specific measuring conditions.



WARNING!

Physical injuries and damage to property and the environment caused by hazardous media

Upon contact with hazardous media (e.g. with flammable or toxic substances), harmful media (e.g. corrosive, toxic, carcinogenic, radioactive), there is a danger of physical injuries and damage to property and the environment.

Should a failure occur, aggressive media with extremely high temperature and under high pressure may be present at the instrument.

- ▶ For these media, in addition to all standard regulations, the appropriate existing codes or regulations must also be followed.
- ▶ Wear the requisite protective equipment.

5. Commissioning, operation



WARNING!

Physical injuries and damage to property and the environment caused by media escaping under high pressure

With the pressurisation of the instrument, as a result of poor sealing of the process connection, media under high pressure can escape.

Due to the high energy of the media that can escape in the event of a failure, the possibility of physical injuries and damage to property exists.

- ▶ The sealing of the process connection must be carried out expertly and checked for leak tightness.

EN

5.1 Mechanical connection

In accordance with the general technical regulations for pressure gauges (e.g. EN 837-2 “Selection and installation recommendations for pressure gauges”).

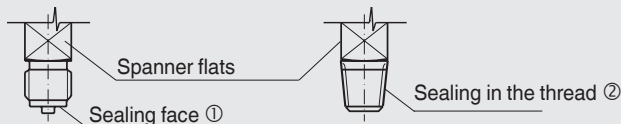
Instruments must be grounded via the process connection. This is why electrically conductive sealing should be used at the process connection. Alternatively, take other measures for grounding. Measures for grounding applied ex works (e.g. welding spots or fuse plates) must therefore be used to integrate the instruments into the equipotential bonding system and must not be removed under any circumstances. Ensure that the measures for grounding are reinstalled after dismantling (e.g. replacing the instrument).

When screwing the instruments in, the force required for sealing must not be applied through the case, but only through the spanner flats provided for this purpose, and using a suitable tool.



Installation with open-ended spanner

For parallel threads, use flat gaskets, lens-type sealing rings or WIKA profile sealings at the sealing face ①. With tapered threads (e.g. NPT threads), sealing is made in the threads ②, using a suitable sealing material (EN 837-2).



The torque depends on the sealing used. In order to orientate the measuring instrument so that it can be read as well as possible, a connection with LH-RH union or union nut should be used. When a blow-out device is fitted to an instrument, it must be protected against being blocked by debris and dirt.

5. Commissioning, operation

Installation

- Nominal position per EN 837-3 / 9.6.6 figure 7: 90° (⊥)
- Process connection lower mount
- With filled versions the vent valve at the top of the case must be opened before commissioning!
- For outdoor applications, the selected installation location has to be suitable for the specified ingress protection, so that the instrument is not exposed to impermissible weather conditions.
- In order to avoid any additional heating, the instruments must not be exposed to direct solar irradiation while in operation!
- To ensure that the pressure can be safely vented in the case of failure, instruments with blow-out device or blow-out back must keep a minimum distance of 20 mm from each object.

Requirements for the installation point

If the line to the measuring instrument is not adequately stable, an instrument mounting bracket should be used for fastening. If vibrations cannot be avoided by means of suitable installation, filled instruments should be used. The instruments should be protected against coarse dirt and wide fluctuations in ambient temperature.

Permissible vibration load at the installation site

The instruments should always be installed in locations free from vibration. If necessary, it is possible to isolate the instrument from the mounting point, e.g. by installing a flexible connection line between the measuring point and the instrument and mounting the instrument on a suitable bracket.

If this is not possible, the following limit values must not be exceeded:

Frequency range < 150 Hz

Acceleration < 0.5 g (5 m/s²)

Test connection

In specific applications (e.g. steam boilers) the shut-off fittings must have a test connection, so that the instrument can be tested without being dismantled.

Temperature load

The installation of the instrument should be made in such a way that the permissible operating temperature, also considering the effects of convection and thermal radiation, neither exceeds nor falls below the permissible limits. Thus the instrument and the shut-off device must be protected by sufficiently long measuring lines or syphons.

The influence of temperature on the indication and measurement accuracy must be observed.



WARNING!

The actual maximum surface temperature depends not on the equipment itself, but mainly on the operating conditions. With gaseous substances, the temperature may increase as a result of compression warming. In these cases it may be necessary to throttle the rate of change of pressure or reduce the permissible medium temperature.

Commissioning of pressure compensating valve

Instruments which are fitted with a pressure compensating valve must, following installation, be vented for internal pressure compensation.

Tool: Open-ended spanner SW 9

1. Remove plastic cap
2. Loosen the threaded connection above the valve body
3. Screw the valve body tight, turned through 180°, with ≤ 4.5 Nm

Before commissioning



After commissioning



For information on the ingress protection, see Technical information IN 00.18

Protection of the pressure elements from overload

If the medium is subject to rapid changes in pressure, or pressure surges are expected, then these must not act directly on the pressure element. The action of the pressure surges must be dampened, for example with the fitting of a throttle section (reduction in cross-section in the pressure channel) or through the addition of an adjustable throttling device.

Pressure tapping point

The pressure tapping point should be arranged with as large a bore as possible (≥ 6 mm) via a shut-off device, so that the pressure tap is not distorted by a flow in the medium. The measuring line between the pressure tapping points and the instrument should have a large enough internal diameter to prevent blockage and lag in the pressure transmission.

Measuring line

The measuring lines must be as short as possible and should be arranged without sharp radii in order to avoid any disruptive time lags. When routing these lines, a steady inclination of approx. 1:15 is recommended.







The measuring line should be designed and installed so that the loads occurring due to expansion, vibration and thermal effects can be absorbed. With gaseous media, a drain should be provided at the lowest point; with liquid media, a vent should be provided at the highest point.

The measuring instruments must be mounted in the common mounting position per EN 837-1, with a max. permissible incline of 5° on all sides.

5. Commissioning, operation

Measuring assemblies

Proven measuring assemblies for various types of media.

	Liquid media			Gaseous media		
Filling of the measuring line	liquid	liquid with vapour	completely vapourised	gaseous	partially condensed (damp)	completely condensed
Examples	condensate	boiling liquids	"liquid gases"	dry air	moist air flue gases	steam
Pressure gauge above the tapping point						
Pressure gauge below the tapping point						

5.2 Electrical connection

The electrical connection must only be made by qualified skilled personnel. Connection details and switching functions are given on the product label. Connection terminals and ground terminal are appropriately marked. The instrument must be connected to the equipotential bonding of the plant.

The instrument may only be operated with corresponding isolating amplifier (see chapter 9.4, model 904.xx).

Performance data (see chapter 9 „Specifications“)

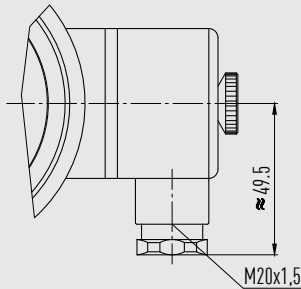
Safety instructions for installation

- Install instruments in accordance with the manufacturer's instructions and the valid standards and regulations.
- Only connect circuits with the same voltage and type of protection to the switch contacts and connection cables.
- Size the connection cables for the largest current strength in the circuits and ensure sufficient UV resistance and mechanical stability.
- With flexible connection cables, use isolated end splices. Max. permissible conductor cross-section 1.5 mm².

5. Commissioning, operation

- Connection cables must be suited to the ambient temperature range of the application.
- The connection cables must also be suitable for the supplied cable gland (for diameter range, see below).

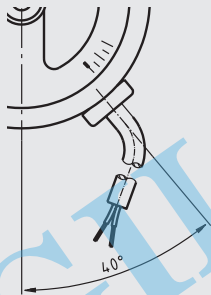
Standard cable socket (NS 100 and 160)



14336089.01

Only use cable with a diameter of 7 ... 13 mm

Cable outlet (NS 50 and 63)

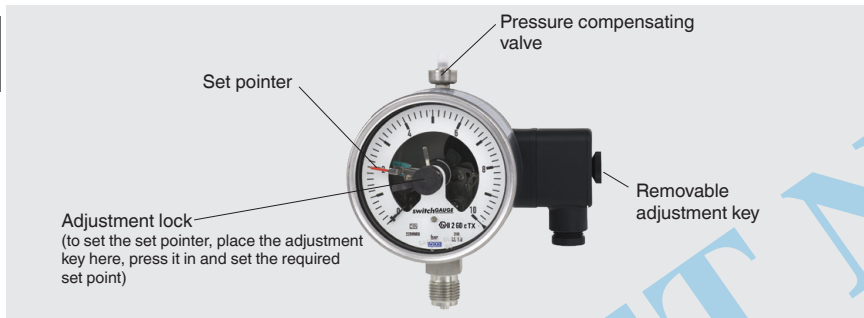


11449056.01

- Seal the cable entry with the appropriate approved cable glands.
- Install the connection cables securely.

5.3 Adjusting the set pointers

The adjustment of the set points is achieved using the adjustment lock in the window with the aid of the adjustment key (included in delivery; found in standard instruments on the side of the cable socket).



The set pointers for the inductive contacts are freely adjustable over the full scale range. For reasons of switching accuracy, switching reliability and service life of the mechanical measuring systems, the switch points should be between 10 % and 90 % of the measuring span.

5.4 Commissioning

Pressure surges must be avoided at all costs, open the shut-off valves slowly.

6. Faults



DANGER!

Danger to life from explosion

Through working in flammable atmospheres, there is a risk of explosion which can cause death.

- ▶ Only rectify faults in non-flammable atmospheres!



CAUTION!

Physical injuries and damage to property and the environment

If faults cannot be eliminated by means of the listed measures, the instrument must be taken out of operation immediately.

- ▶ Ensure that pressure or signal is no longer present and protect against accidental commissioning.
- ▶ Contact the manufacturer.
- ▶ If a return is needed, please follow the instructions given in chapter 8.2 "Return".

6. Faults



WARNING!

Physical injuries and damage to property and the environment caused by hazardous media

Upon contact with hazardous media (e.g. oxygen, acetylene, flammable or toxic substances), harmful media (e.g. corrosive, toxic, carcinogenic, radioactive), and also with refrigeration plants and compressors, there is a danger of physical injuries and damage to property and the environment.

Should a failure occur, aggressive media with extremely high temperature and under high pressure or vacuum may be present at the instrument.

- ▶ For these media, in addition to all standard regulations, the appropriate existing codes or regulations must also be followed.
- ▶ Wear the requisite protective equipment.



For contact details see chapter 1 “General information” or the back page of the operating instructions.

Faults	Causes	Measures
Contact is no longer switching in accordance with the specification.	Electrical connection is interrupted.	Carry out a continuity test on the electrical connection lines.
	Electrical load unsuitable for the switch contact model.	Maintain the permissible electrical loads for the switch contact model.
	Contact contaminated.	
Residual current protection device for the circuit is tripped.	Insulation failure	Replace instrument.
Contact chatter (repeated, short-duration opening and closing).	Vibrations	Decouple the instrument mechanically.
No pointer movement despite change in pressure.	Movement blocked.	Replace instrument.

For the exchange of the instrument chapters 8 “Dismounting, return and disposal” and 5 “Commissioning, operation” must be observed.

7. Maintenance and cleaning

7. Maintenance and cleaning

7.1 Maintenance

The instruments are maintenance-free.

The indicator and switching function should be checked once or twice every year. The test can be carried out separately from the process with a pressure testing device.

Testing of filled instruments

For filled instruments, the level must be checked once or twice every year.

The liquid level must not drop below 75 % of the instrument diameter.



WARNING!

Danger to life due to impermissible filling/refilling of the instrument with loss of explosion protection

The filling/refilling of instruments by non-authorized personnel leads to a loss of the explosion protection and can lead to damage to the instrument.

- ▶ Repair of the instruments may only be carried out by authorized bodies.
- ▶ If a return is needed, please follow the instructions given in chapter 8.2 "Return".

Repairs must only be carried out by the manufacturer.

7.2 Cleaning



CAUTION!

Physical injuries and damage to property and the environment

Improper cleaning may lead to physical injuries and damage to property and the environment. Residual media in the dismantled instrument can result in a risk to persons, the environment and equipment.

- ▶ Carry out the cleaning process as described below.

1. Before cleaning, correctly disconnect the instrument from the pressure supply, switch it off and disconnect it from the mains.
2. Use the requisite protective equipment.
3. Clean the instrument with a moist cloth.

Electrical connections must not come into contact with moisture!



CAUTION!

Damage to the instrument

Improper cleaning may lead to damage to the instrument!

- ▶ Do not use any aggressive cleaning agents.
- ▶ Do not use any hard or pointed objects for cleaning.

4. Wash or clean the dismantled instrument, in order to protect persons and the environment from exposure to residual media.

8. Dismounting, return and disposal



WARNING!

Physical injuries and damage to property and the environment through residual media

Residual media in the dismantled instrument can result in a risk to persons, the environment and equipment.

- ▶ Wear the requisite protective equipment.
- ▶ Observe the information in the material safety data sheet for the corresponding medium.
- ▶ Wash or clean the dismantled instrument, in order to protect persons and the environment from exposure to residual media.

8.1 Dismounting



WARNING!

Risk of burns

During dismantling there is a risk of dangerously hot media escaping.

- ▶ Let the instrument cool down sufficiently before dismantling it!



DANGER!

Danger to life caused by electric current

Upon contact with live parts, there is a direct danger to life.

- ▶ The dismantling of the instrument may only be carried out by skilled personnel.
- ▶ Remove the instrument once the system has been isolated from power sources.



WARNING!

Physical injury

When dismantling, there is a danger from aggressive media and high pressures.

- ▶ Observe the information in the material safety data sheet for the corresponding medium.
- ▶ Dismount the instrument when there is no pressure.

If necessary, the measuring line must have strain relief. For diaphragm pressure gauges, the clamping bolts of the upper and lower flange must not be loosened.

8.2 Return

Strictly observe the following when shipping the instrument:

All instruments delivered to WIKA must be free from any kind of hazardous substances (acids, bases, solutions, etc.) and must therefore be cleaned before being returned.

8. Disassembly



WARNING!

Physical injuries and damage to property and the environment through residual media

Residual media in the dismantled instrument can result in a risk to persons, the environment and equipment.

- ▶ With hazardous substances, include the material safety data sheet for the corresponding medium.
- ▶ Clean the instrument, see chapter 7.2 “Cleaning”.

When returning the instrument, use the original packaging or a suitable transport packaging.



Information on returns can be found under the heading “Service” on our local website.

8.3 Disposal

Incorrect disposal can put the environment at risk. Dispose of instrument components and packaging materials in an environmentally compatible way and in accordance with the country-specific waste disposal regulations.



Do not dispose of with household waste. Ensure a proper disposal in accordance with national regulations.

9. Specifications



DANGER!

Danger to life due to loss of explosion protection

The non-observance of the instructions for use in hazardous areas can lead to the loss of the explosion protection.

- ▶ Adhere to the following limit values and instructions.
- ▶ The case contains parts made of non-metallic material, which could be adversely affected by environmental conditions. It must be ensured that the non-metallic parts are not damaged as a result of the environmental conditions.

Non-metallic parts of the case

PUR, TPU, PA 6, EPDM, NBR (option), FMQ (option)

9.1 Standard cable socket (only NS 100 and 160)

Cable socket, fitted on the right-hand side of the case.

Material: PA 6, black

Per VDE 0110 insulation group C/250 V

Cable gland M20 x 1.5 (facing downwards) with strain relief
6 screw terminals + PE for conductor cross-section 1.5 mm²

9.2 Cable outlet (only NS 50 and 63)

Cable length 2 m, facing downwards and to the right

Material: PVC

9.3 Inductive contact model 831

The recommended setting range of the contacts is 10 ... 90 % of the scale (0 ... 100 % on request).

Contact version (see product label)

- 831, for NS 63 only
- 831-N
- 831-SN, safety version ¹⁾
- 831-3.5N
- 831-3.5SN, safety version ¹⁾
- 831-3.5S1N, safety version ¹⁾, inverted signal

¹⁾ only operate with corresponding isolating amplifier (see chapter 9.4, model 904.3x)

9. Specifications

Safety-related maximum values

Contact version	Ui	Ii	Pi	Ci	Li
831	20 V	60 mA	130 mW	250 nF	350 µH
831-N	16 V	25 mA	64 mW	30 nF	100 µH
831-SN	16 V	25 mA	64 mW	30 nF	100 µH
831-3.5N	16 V	25 mA	64 mW	50 nF	250 µH
831-3.5S1N	16 V	25 mA	64 mW	30 nF	100 µH
831-3.5SN	16 V	25 mA	64 mW	30 nF	100 µH

Permissible temperature ranges

Contact version	T6	T5 ... T1	T95°C	T135°C
831	-20 ... +60 °C	-20 ... +70 °C	-20 ... +70 °C	-
831-N	-20 ... +60 °C	-20 ... +70 °C	-	-20 ... +70 °C
831-SN	-20 ... +60 °C	-20 ... +70 °C	-	-20 ... +70 °C
831-3.5N	-20 ... +60 °C	-20 ... +70 °C	-	-20 ... +70 °C
831-3.5S1N	-20 ... +60 °C	-20 ... +70 °C	-	-20 ... +70 °C
831-3.5SN	-20 ... +60 °C	-20 ... +70 °C	-	-20 ... +70 °C

For further information see annex "EU declaration of conformity"

9.4 Associated isolating amplifiers

Model	Number of contacts	safety equipment
904.28 KFA6 - SR2 - Ex1.W	1	no
904.29 KFA6 - SR2 - Ex2.W	2	no
904.30 KHA6 - SH - Ex1	1	yes
904.33 KFD2 - SH - Ex1	1	yes



The above mentioned isolating amplifiers are examples. Other isolating amplifiers can also be used, provided that the safety-related maximum values are observed.

9. Specifications

9.5 Contact pressure gauges

Model 111.11.050

Pressure limitation	
Steady	3/4 x full scale value
Fluctuating	2/3 x full scale value
Short time	Full scale value
Temperature effect	When the temperature of the measuring system deviates from the reference temperature (+20 °C): max. $\pm 0.4 \%$ /10 K of full scale value
Wetted materials	
Process connection, pressure element	Copper alloy
Non-wetted materials	
Case, bayonet ring	Stainless steel
Movement	Copper alloy, wear parts argentan
Dial	Aluminium, white, black lettering
Instrument pointer	Plastic, black
Set pointer	Plastic, red
Window	Polycarbonate
Ingress protection per IEC/EN 60529	IP54

For further specifications see data sheet PM 01.03

Model 131.11.050

Pressure limitation	
Steady	3/4 x full scale value
Fluctuating	2/3 x full scale value
Short time	Full scale value
Temperature effect	When the temperature of the measuring system deviates from the reference temperature (+20 °C): max. $\pm 0.4 \%$ /10 K of full scale value
Wetted materials	
Process connection, pressure element	Stainless steel 1.4571, stainless steel 316L
Non-wetted materials	
Case, movement, bayonet ring	Stainless steel
Dial	Aluminium, white, black lettering
Instrument pointer	Aluminium, black
Set pointer	Aluminium, red
Window	Polycarbonate
Ingress protection per IEC/EN 60529	IP54

For further specifications see data sheet PM 01.05

9. Specifications

Model PGS23.063, PGS26.063

Pressure limitation	
Steady	3/4 x full scale value
Fluctuating	2/3 x full scale value
Short time	Full scale value
Temperature effect	When the temperature of the measuring system deviates from the reference temperature (+20 °C): max. $\pm 0.4 \%$ /10 K of full scale value
Wetted materials	
Process connection, pressure element	PGS23.063: Stainless steel 1.4571, stainless steel 316L PGS26.063: Monel
Non-wetted materials	
Case, movement, bayonet ring	Stainless steel
Dial	Aluminium, white, black lettering
Instrument pointer	Aluminium, black
Set pointer	Aluminium, red
Window	Laminated safety glass
Ingress protection per IEC/EN 60529	IP54

For further specifications see data sheet PV 22.03

Models PGS23.100, PGS23.160, PGS26.100, PGS26.160

Pressure limitation	
Steady	Full scale value
Fluctuating	0.9 x full scale value
Short time	1.3 x full scale value
Temperature effect	When the temperature of the measuring system deviates from the reference temperature (+20 °C): max. $\pm 0.4 \%$ /10 K of full scale value
Wetted materials	
Process connection, pressure element	PGS23.100, PGS23.160: Stainless steel 316L PGS26.100, PGS26.160: Monel
Non-wetted materials	
Case, movement, bayonet ring	Stainless steel
Dial	Aluminium, white, black lettering
Instrument pointer	Aluminium, black
Set pointer	Aluminium, red
Window	Laminated safety glass
Ingress protection per IEC/EN 60529	IP65 ¹⁾ ; option: IP66

1) Ingress protection IP54 with safety version and lower back mount.

For further specifications see data sheet PV 22.02

9. Specifications

Models PGS43.100, PGS43.160

Pressure limitation	
Steady	Full scale value
Fluctuating	0.9 x full scale value
Short time	5 x full scale value, however max. 40 bar
Temperature effect	
When the temperature of the measuring system deviates from the reference temperature (+20 °C): max. $\pm 0.8 \%$ /10 K of full scale value	
Wetted materials	
Process connection with lower measuring flange	Stainless steel 316L
Pressure element	≤ 0.25 bar: Stainless steel 316L > 0.25 bar: NiCr alloy (Inconel)
Sealing	FPM/FKM
Non-wetted materials	
Case, movement, bayonet ring	Stainless steel
Dial	Aluminium, white, black lettering
Instrument pointer	Aluminium, black
Set pointer	Aluminium, red
Window	Laminated safety glass
Ingress protection per IEC/EN 60529	
IP54	

For further specifications see data sheet PV 24.03

Model 232.35.063

Pressure limitation	
Steady	3/4 x full scale value
Fluctuating	2/3 x full scale value
Short time	Full scale value
Temperature effect	
When the temperature of the measuring system deviates from the reference temperature (+20 °C): max. $\pm 0.4 \%$ /10 K of full scale value	
Wetted materials	
Process connection, pressure element	Stainless steel 316L
Non-wetted materials	
Case, movement, bayonet ring	Stainless steel
Dial	Aluminium, white, black lettering
Pointer	Aluminium, black
Window	Laminated safety glass
Ingress protection per IEC/EN 60529	
IP54	

For further specifications see data sheet PM 02.11

9. Specifications

Models 432.56, 432.36

Pressure limitation	
Steady	Full scale value
Fluctuating	0.9 x full scale value
Short time	40, 100 or 400 bar
Temperature effect	
When the temperature of the measuring system deviates from the reference temperature (+20 °C): max. $\pm 0.8 \%$ /10 K of full scale value	
Wetted materials	
Process connection with lower measuring flange	Stainless steel 316L
Pressure element	≤ 0.25 bar: Stainless steel 316L > 0.25 bar: NiCr alloy (Inconel)
Sealing	FPM/FKM
Non-wetted materials	
Case, movement, bayonet ring	Stainless steel
Dial	Aluminium, white, black lettering
Instrument pointer	Aluminium, black
Set pointer	Aluminium, red
Window	Laminated safety glass
Ingress protection per IEC/EN 60529	IP54

For further specifications see data sheet PV 24.07

Models 532.52, 532.53 and 532.54

Pressure limitation	
Steady	Full scale value
Fluctuating	0.9 x full scale value
Short time	Minimum 1 bar absolute pressure (atmospheric pressure), in addition 10 x full scale value, max. 25 bar absolute pressure
Temperature effect	
When the temperature of the measuring system deviates from the reference temperature (+20 °C): max. $\pm 0.8 \%$ /10 K of full scale value	
Wetted materials	
Process connection with measuring chamber	Stainless steel 1.4571
Pressure element	≤ 0.25 bar: Stainless steel 1.4571 > 0.25 bar: NiCr alloy (Inconel)
Non-wetted materials	
Case, movement, bayonet ring	Stainless steel
Dial	Aluminium, white, black lettering
Pointer	Aluminium, black
Window	Laminated safety glass
Ingress protection per IEC/EN 60529	IP54

For further specifications see data sheet PV 25.02

9. Specifications

Model 632.51

Pressure limitation	
Steady	Full scale value
Fluctuating	0.9 x full scale value
Short time	50 x full scale value
Temperature effect	
When the temperature of the measuring system deviates from the reference temperature (+20 °C): max. $\pm 0.6 \%$ /10 K of full scale value	
Wetted materials	
Process connection with measuring chamber, pressure element	Stainless steel 1.4571
Sealing	PTFE
Non-wetted materials	
Case, movement, bayonet ring	Stainless steel
Dial	Aluminium, white, black lettering
Pointer	Aluminium, black
Window	Laminated safety glass
Ingress protection per IEC/EN 60529	
IP54	

For further specifications see data sheet PV 26.06

Model 736.51

Pressure limitation	
Steady	Full scale value
Fluctuating	0.9 x full scale value
Short time	\varnothing side: 200 mbar
Temperature effect	
When the temperature of the measuring system deviates from the reference temperature (+20 °C): max. $\pm 0.6 \%$ /10 K of full scale value	
Wetted materials	
Process connection, pressure element, measuring cell	Stainless steel 1.4571
Sealings	PTFE and NBR
Zero point setting	Stainless steel
Case, movement	Stainless steel
Dial	Aluminium, white, black lettering
Pointer	Aluminium, black
Window	Laminated safety glass
Non-wetted materials	
Bayonet ring	Stainless steel
Ingress protection per IEC/EN 60529	
IP66	

For further specifications see data sheet PM 07.08

9. Specifications

Models DPGS43.100, DPGS43.160

Pressure limitation	
Steady	Full scale value
Fluctuating	0.9 x full scale value
Short time	minimum 10 x full scale value, max. 25 bar
Temperature effect	
When the temperature of the measuring system deviates from the reference temperature (+20 °C): max. $\pm 0.5\%$ /10 K of full scale value	
Wetted materials	
Process connection	Stainless steel 316Ti (1.4571)
Pressure element	≤ 0.25 bar: Stainless steel 316L > 0.25 bar: NiCr alloy (Inconel)
Non-wetted materials	
Case, bayonet ring	Stainless steel
Movement	Brass
Dial	Aluminium, white, black lettering
Pointer	Aluminium, black
Window	Laminated safety glass
Ingress protection per IEC/EN 60529	
IP54; option: IP65	

For further specifications see data sheet PV 27.05

Models DPGS43HP.100, DPGS43HP.160

Pressure limitation	
Steady	Full scale value
Fluctuating	0.9 x full scale value
Short time	40, 100, 250 or 400 bar
Temperature effect	
When the temperature of the measuring system deviates from the reference temperature (+20 °C): max. $\pm 0.5\%$ /10 K of full scale value	
Wetted materials	
Process connection with lower measuring flange	Stainless steel 316L
Pressure element	≤ 0.25 bar: Stainless steel 1.4571 > 0.25 bar: NiCr alloy (Inconel)
Sealing	FPM/FKM
Non-wetted materials	
Case, movement, bayonet ring	Stainless steel
Dial	Aluminium, white, black lettering
Pointer	Aluminium, black
Window	Laminated safety glass
Ingress protection per IEC/EN 60529	
IP54; option: IP65	

For further specifications see data sheet PV 27.13

Inhalt

1. Allgemeines	32
2. Aufbau und Funktion	33
2.1 Überblick	33
2.2 Beschreibung	33
2.3 Lieferumfang	33
3. Sicherheit	34
3.1 Symbolerklärung	34
3.2 Bestimmungsgemäße Verwendung	34
3.3 Fehlgebrauch	35
3.4 Verantwortung des Betreibers	35
3.5 Personalqualifikation	36
3.6 Fachpersonal	36
3.7 Beschilderung, Sicherheitskennzeichnungen	36
3.8 Ex-Kennzeichnung	37
3.9 Spezifikation und Temperaturgrenzen	37
3.10 Besondere Bedingungen für die sichere Verwendung (X-Conditions)	39
4. Transport, Verpackung und Lagerung	39
4.1 Transport	39
5. Inbetriebnahme, Betrieb	40
5.1 Mechanischer Anschluss	41
5.2 Elektrischer Anschluss	44
5.3 Einstellen der Sollwertzeiger	46
5.4 Inbetriebnahme	46
6. Störungen	46
7. Wartung und Reinigung	48
7.1 Wartung	48
7.2 Reinigung	48
8. Demontage, Rücksendung und Entsorgung	49
8.1 Demontage	49
8.2 Rücksendung	49
8.3 Entsorgung	50
9. Technische Daten	51
9.1 Standard-Kabeldose (nur NG 100 und 160)	51
9.2 Kabelausgang (nur NG 50 und 63)	51
9.3 Induktivkontakt Typ 831	51
9.4 Zugehörige Trennschaltverstärker	52
9.5 Kontaktmanometer	53
Anlage: EU-Konformitätserklärung	115

Konformitätserklärungen finden Sie online unter www.wika.de.

1. Allgemeines

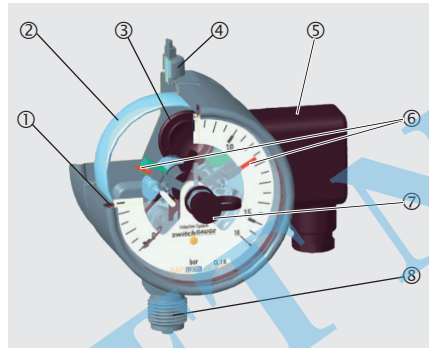
- Das in der Betriebsanleitung beschriebene Kontaktmanometer wird nach den neuesten Erkenntnissen konstruiert und gefertigt. Alle Komponenten unterliegen während der Fertigung strengen Qualitäts- und Umweltkriterien. Unsere Managementsysteme sind nach ISO 9001 und ISO 14001 zertifiziert.
- Diese Betriebsanleitung gibt wichtige Hinweise zum Umgang mit dem Gerät. Voraussetzung für sicheres Arbeiten ist die Einhaltung aller angegebenen Sicherheitshinweise und Handlungsanweisungen.
- Die für den Einsatzbereich des Gerätes geltenden örtlichen Unfallverhütungsvorschriften und allgemeinen Sicherheitsbestimmungen einhalten.
- Die Betriebsanleitung ist Produktbestandteil und muss in unmittelbarer Nähe des Gerätes für das Fachpersonal jederzeit zugänglich aufbewahrt werden.
- Das Fachpersonal muss die Betriebsanleitung vor Beginn aller Arbeiten sorgfältig durchgelesen und verstanden haben.
- Die Haftung des Herstellers erlischt bei Schäden durch bestimmungswidrige Verwendung, Nichtbeachten dieser Betriebsanleitung, Einsatz ungenügend qualifizierten Fachpersonals sowie eigenmächtiger Veränderung am Gerät.
- Es gelten die allgemeinen Geschäftsbedingungen in den Verkaufsunterlagen.
- Technische Änderungen vorbehalten.
- Weitere Informationen:
 - Internet-Adresse: www.wika.de / www.wika.com
 - zugehöriges Datenblatt:
 - PM 01.03 (Typ 111.11.050)
 - PM 01.05 (Typ 131.11.050)
 - PV 22.02 (Typ PGS23.1x0, PGS26.1x0)
 - PV 22.03 (Typ PGS23.063, PGS26.063)
 - PV 24.03 (Typ PGS43.1x0)
 - PV 27.05 (Typ DPGS43.1x0)
 - PV 27.13 (Typ DPGS43HP.1x0)
 - PM 02.11 (Typ 232.35.063)
 - PV 24.07 (Typ 432.56)
 - PV 25.02 (Typ 532.54)
 - PV 26.06 (Typ 632.51)
 - PM 07.08 (Typ 736.51)

2. Aufbau und Funktion

2.1 Überblick

Beispiel Typ PGS23.100, Ausführung „S1“ nach EN 837

- ① Mehrschichten-Sicherheitsglas
- ② Messglied
- ③ Stopfen der Entlastungsöffnung
- ④ Druckausgleichsventil
- ⑤ Elektrischer Anschluss mit Kabelbox
- ⑥ Sollwertzeiger
- ⑦ Verstellverschluss
- ⑧ Prozessanschluss



2.2 Beschreibung

Diese Manometer mit Induktivkontakt(en) sind speziell für Anwendungen in explosionsgefährdeten Bereichen konzipiert. WIKA fertigt und qualifiziert diese Geräte in Anlehnung an EN 837 (Relativdruck), DIN 16002 (Absolutdruck), DIN 16003 (Differenzdruck) und DIN 16085 (Schaltkontakte) in den Ausführungen „S1“ und „S3“.

Ausführung „S1“ nach EN 837

Diese Ausführung ist mit einer Entlastungsöffnung am Gehäuse ausgeführt.

Sicherheitsausführung „S3“ nach EN 837

Diese Ausführung besteht aus Mehrschichten-Sicherheitsglas, einer bruchsicheren Trennwand zwischen Messsystem und Zifferblatt sowie einer ausblasbaren Rückwand. Im Fehlerfall ist der Bediener an der Frontseite geschützt, da Messstoffe und Bauteile nur über die Rückseite des Gehäuses austreten können.

Schaltkontakt Typ 831

Die eingebauten elektrischen Induktivkontakte sind berührungslos arbeitende, induktive Näherungsschalter in Schlitzbauform, die aus Trennschaltverstärkern mit bescheinigten eigensicheren Stromkreisen versorgt werden. Bei Überschreiten der einstellbaren Grenzwerte werden deren Ausgangsstromkreise geöffnet bzw. geschlossen.

2.3 Lieferumfang

Lieferumfang mit dem Lieferschein abgleichen.

3. Sicherheit

3.1 Symbolerklärung



WARNUNG!

... weist auf eine möglicherweise gefährliche Situation hin, die zum Tod oder zu schweren Verletzungen führen kann, wenn sie nicht gemieden wird.



VORSICHT!

... weist auf eine möglicherweise gefährliche Situation hin, die zu geringfügigen oder leichten Verletzungen bzw. Sach- und Umweltschäden führen kann, wenn sie nicht gemieden wird.



GEFAHR!

... kennzeichnet Gefährdungen durch elektrischen Strom. Bei Nichtbeachtung der Sicherheitshinweise besteht die Gefahr schwerer oder tödlicher Verletzungen.



WARNUNG!

... weist auf eine möglicherweise gefährliche Situation im explosionsgefährdeten Bereich hin, die zum Tod oder zu schweren Verletzungen führt, wenn sie nicht gemieden wird.



WARNUNG!

... weist auf eine möglicherweise gefährliche Situation hin, die durch heiße Oberflächen oder Flüssigkeiten zu Verbrennungen führen kann, wenn sie nicht gemieden wird.



Information

... hebt nützliche Tipps und Empfehlungen sowie Informationen für einen effizienten und störungsfreien Betrieb hervor.

3.2 Bestimmungsgemäße Verwendung

Die Geräte dienen zum Steuern und Regeln von Prozesswerten sowie zur Anlagenüberwachung in industriellen Anwendungen. Das Kontaktmanometer mit bis zu 3 integrierten Induktivkontakten des Typs 831 zeigt den Prozessdruck vor Ort an und öffnet/schließt Stromkreise an definierten Druckwerten.

Das Gerät bietet viele Anwendungsmöglichkeiten für gasförmige und flüssige, aggressive, nicht hochviskose und nicht kristallisierende Messstoffe.

Das Gerät nur in Anwendungen verwenden, die innerhalb seiner technischen Leistungsgrenzen liegen (z. B. Temperaturgrenzen, Materialverträglichkeit, ...).

→ Leistungsgrenzen siehe Kapitel 9 „Technische Daten“.

Das Gerät ist ausschließlich für den hier beschriebenen bestimmungsgemäßen Verwendungszweck konzipiert und konstruiert und darf nur dementsprechend verwendet werden. Ansprüche jeglicher Art aufgrund von nicht bestimmungsgemäßer Verwendung sind ausgeschlossen.

3.3 Fehlgebrauch



WARNUNG!

Verletzungen durch Fehlgebrauch

Fehlgebrauch des Gerätes kann zu gefährlichen Situationen und Verletzungen führen.

- ▶ Eigenmächtige Umbauten am Gerät unterlassen.
- ▶ Gerät nicht für abrasive und viskose Messstoffe verwenden. Ausnahmen hierbei sind Plattenfedermanometer (Typen PGS43, 432.56) mit speziell beschichteten Membranen (abrasiv) oder Ausführungen mit offenem Anschlussflansch (viskos).

Jede über die bestimmungsgemäße Verwendung hinausgehende oder andersartige Benutzung gilt als Fehlgebrauch.

3.4 Verantwortung des Betreibers

Das Gerät wird im gewerblichen Bereich eingesetzt. Der Betreiber unterliegt daher den gesetzlichen Pflichten zur Arbeitssicherheit.

Die Sicherheitshinweise dieser Betriebsanleitung, sowie die für den Einsatzbereich des Gerätes gültigen Sicherheits-, Unfallverhütungs- und Umweltschutzvorschriften einhalten.

Der Betreiber ist verpflichtet das Typenschild lesbar zu halten.

Für ein sicheres Arbeiten am Gerät muss der Betreiber sicherstellen,

- dass eine entsprechende Erste-Hilfe-Ausrüstung vorhanden ist und bei Bedarf jederzeit Hilfe zur Stelle ist.
- dass das Bedienpersonal regelmäßig in allen zutreffenden Fragen von Arbeitssicherheit, Erste Hilfe und Umweltschutz unterwiesen wird, sowie die Betriebsanleitung und insbesondere die darin enthaltenen Sicherheitshinweise kennt.
- dass das Gerät gemäß der bestimmungsgemäßen Verwendung für den Anwendungsfall geeignet ist.
- dass die persönliche Schutzausrüstung verfügbar ist.



An den messstoffberührten Teilen des Gerätes können herstellungsbedingt geringe Restmengen des Justagemediums (z. B. Druckluft, Wasser, Öl) anhaften. Bei erhöhten Anforderungen an die technische Sauberkeit muss die Eignung für den Anwendungsfall vor Inbetriebnahme vom Betreiber geprüft sein.



Flüssige Messstoffe mit der Eigenschaft bei Erstarrung das Volumen zu verändern können das Messsystem schädigen (z. B. Wasser bei Unterschreiten des Gefrierpunktes).

3. Sicherheit

3.5 Personalqualifikation



WARNUNG!

Verletzungsgefahr bei unzureichender Qualifikation!

Unsachgemäßer Umgang kann zu erheblichen Personen- und Sachschäden führen.

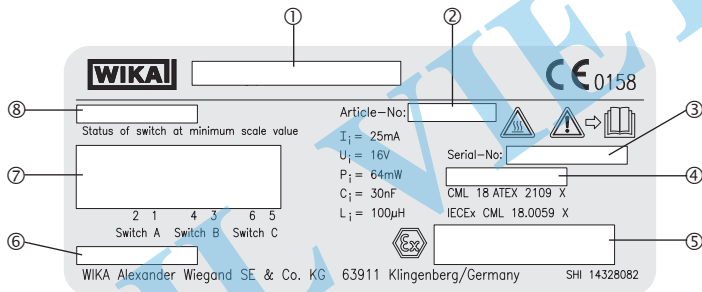
Die in dieser Betriebsanleitung beschriebenen Tätigkeiten nur durch Fachpersonal nachfolgend beschriebener Qualifikation durchführen lassen.

3.6 Fachpersonal

Das Fachpersonal ist aufgrund seiner fachlichen Ausbildung, seiner Kenntnisse der Mess- und Regelungstechnik und seiner Erfahrungen sowie Kenntnis der landesspezifischen Vorschriften, geltenden Normen und Richtlinien in der Lage, die beschriebenen Arbeiten auszuführen und mögliche Gefahren selbstständig zu erkennen.

3.7 Beschilderung, Sicherheitskennzeichnungen

Typenschild (Beispiel)



① Typ + Kontaktausführung

② Artikelnummer

③ Seriennummer

④ Herstellungsdatum (Monat/Jahr)

⑤ Ex-Kennzeichnung

⑥ Gehäusefüllung

⑦ Anschlussbelegung

⑧ Schaltkontakt-Typ und Schaltfunktion



Vor Montage und Inbetriebnahme des Gerätes unbedingt die Betriebsanleitung lesen!



Verbrennungsgefahr!

Möglicherweise gefährliche Situation durch heiße Oberflächen.



Das Gerät mit dieser Kennzeichnung ist ein Sicherheitsdruckmessgerät mit bruchsicherer Trennwand nach EN 837, Sicherheitsausführung „S3“.

3. Sicherheit



Nicht mit dem Hausmüll entsorgen. Für eine geordnete Entsorgung gemäß nationaler Vorgaben sorgen.

3.8 Ex-Kennzeichnung



GEFAHR!

Lebensgefahr durch Verlust des Explosionsschutzes

Die Nichtbeachtung dieser Inhalte und Anweisungen kann zum Verlust des Explosionsschutzes führen.

- ▶ Sicherheitshinweise in diesem Kapitel sowie weitere Explosionsschutzhinweise in dieser Betriebsanleitung beachten.
- ▶ Die Angaben der geltenden Baumusterprüfbescheinigung sowie die jeweiligen landesspezifischen Vorschriften zur Installation und Einsatz in explosionsgefährdeten Bereichen (z. B. IEC 60079-14, NEC, CEC) einhalten.

Überprüfen, ob die Klassifizierung für den Einsatzfall geeignet ist. Die jeweiligen nationalen Vorschriften und Bestimmungen beachten.

Geräte ohne PTFE-Auskleidung

Ex-Bereich	Nenngröße	ATEX	IECEx
Zone 1 Gas	NG 50, 63, 100, 160	II 2G	Ex ia IIC T6/T5/T4 Gb
Zone 21 Staub	NG 63	II 2D	Ex ia IIIB T95°C/T135°C Db
Zone 21 Staub	NG 50, 100, 160	II 2D	Ex ia IIIB T135°C Db

Geräte mit PTFE-Auskleidung

Option bei Typen: PGS43.1x0, 432.56

Ex-Bereich	ATEX	IECEx
Zone 1 Gas	II 2G	Ex ia IIB T6/T5/T4 Gb

3.9 Spezifikation und Temperaturgrenzen

Schutzart nach IEC/EN 60529

Informationen zur Schutzart des jeweiligen Gerätes siehe Kapitel 9 „Technische Daten“. Für die IECEx-Bewertung wurde die Schutzart IP20 angenommen.

Zulässiger Temperaturbereich

Für die Ermittlung der maximalen Temperatur am Gerät sind außer der Messstofftemperatur noch andere Einflüsse wie z. B. die Umgebungstemperatur und gegebenenfalls die Sonneneinstrahlung zu berücksichtigen.

3. Sicherheit

Gasexplosionsgefährdeter Bereich

Geforderte Temperaturklasse (Zündtemperatur)	Zulässiger Temperaturbereich am Gerät
T6	-20 ... +60 °C
T5 ... T1	-20 ... +70 °C

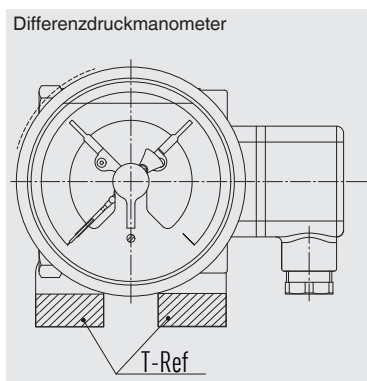
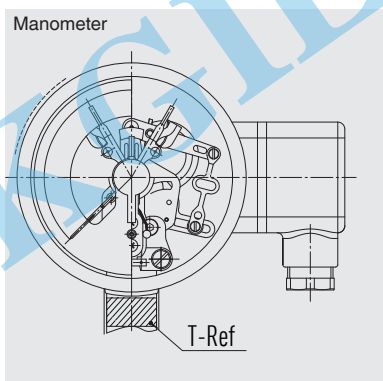
Staubexplosionsgefährdeter Bereich

Maximale Oberflächentemperatur	Zulässiger Temperaturbereich am Gerät
T135°C	-20 ... +60 °C (+70 °C optional)
T95°C (nur bei NG 63)	-20 ... +60 °C (+70 °C optional)

Die Montage ist so auszuführen, dass der zulässige Temperaturbereich des Gerätes, auch unter Berücksichtigung des Einflusses von Konvektion und Wärmestrahlung, weder unterschritten noch überschritten wird.

Die zulässigen Temperaturbereiche der Kontakttypen dürfen auch am Gerät nicht überschritten werden. Gegebenenfalls sind Maßnahmen zur Kühlung (wie z. B. Wassersackrohr, Instrumentierungsventil, Druckmittler etc.) zu ergreifen.

Die Einhaltung des zulässigen Temperaturbereiches ist vom Betreiber während des Betriebes sicherzustellen. Die im folgenden Bild unter „T-Ref“ dargestellte Fläche kann hierzu genutzt werden.



3.10 Besondere Bedingungen für die sichere Verwendung (X-Conditions)

- i. Die Temperaturklasse und die zulässige maximale Umgebungstemperatur richten sich nach den im Gerät installierten Optionen und dürfen auf dem Geräte-Schild nicht angegeben sein. Einzelheiten zur anwendbaren Temperaturklasse und zum Umgebungstemperaturbereich sind aus dem vorliegenden Zertifikat und der Betriebsanleitung ersichtlich.
- ii. Der Benutzer muss beachten, dass Wärme entlang des Messgerätes übertragen werden kann und darauf achten, dass das Gerät die maximal zulässige Umgebungstemperatur nicht überschreitet. Näheres ist der Betriebsanleitung zu entnehmen.
- iii. Typen mit einer PTFE-Auskleidung dürfen nur für den Einsatz in Gruppe IIB gekennzeichnet sein. Der Benutzer muss dafür sorgen, dass Typen, die so gekennzeichnet sind, nicht in gasexplosionsgefährdeten Bereichen der Gruppe IIC oder in staubexplosionsgefährdeten Bereichen der Gruppe III verwendet werden.
- iv. Typen mit PTFE-Auskleidung dürfen nur für den Einsatz in gasexplosionsgefährdeten Bereichen der Gruppe IIC und in staubexplosionsgefährdeten Bereichen der Gruppe IIIB gekennzeichnet sein. Derartige Typen sind auch mit einem Warnetikett versehen, das den Benutzer auf eine mögliche elektrostatische Gefährdung innerhalb des Prozessanschlussbereichs hinweist. Der Benutzer muss alle notwendigen Sicherheitsvorkehrungen ergreifen, damit die Gefahr einer elektrostatischen Entladung innerhalb des Prozessanschlusses minimiert wird.
- v. Im Gerät kann ein Kabel integriert sein. Ist dies der Fall, muss der Benutzer dafür sorgen, dass dieses gut befestigt und gegen mechanische Beschädigung geschützt ist.
- vi. Bei Anwendungen der Gruppe III kann die nichtmetallische Beschichtung des Gerätegehäuses unter bestimmten extremen Bedingungen eine zündfähige elektrostatische Ladung erzeugen. Aus diesem Grunde darf das Gerät nicht an einem Ort installiert werden, an dem durch die äußeren Bedingungen der Aufbau elektrostatischer Ladung an solchen Oberflächen begünstigt wird. Der Benutzer/Installateur muss Vorsichtsmaßnahmen ergreifen, um einen Aufbau elektrostatischer Ladung zu verhindern, indem er das Gerät z. B. an einem Ort aufstellt, an dem ein ladungserzeugender Mechanismus (wie z. B. vom Wind verwehter Staub) wenig wahrscheinlich ist, und das Gerät mit einem feuchten Tuch abwischt.

4. Transport, Verpackung und Lagerung

4.1 Transport

Gerät auf eventuell vorhandene Transportschäden untersuchen.
Offensichtliche Schäden unverzüglich mitteilen.



VORSICHT!

Beschädigungen durch unsachgemäßen Transport

Bei unsachgemäßem Transport können Sachschäden in erheblicher Höhe entstehen.

- ▶ Beim Abladen der Packstücke bei Anlieferung sowie innerbetrieblichem Transport vorsichtig vorgehen und die Symbole auf der Verpackung beachten.
- ▶ Bei innerbetrieblichem Transport die Hinweise unter Kapitel 4.2 „Verpackung und Lagerung“ beachten.



Durch Erschütterungen können sich bei gefüllten Geräten in der Füllflüssigkeit kleine Bläschen bilden. Dies hat keinen Einfluss auf die Funktion des Gerätes.

Verpackung und Lagerung

Verpackung erst unmittelbar vor der Montage entfernen.

Die Verpackung aufbewahren, denn diese bietet bei einem Transport einen optimalen Schutz (z. B. wechselnder Einbauort, Reparatursendung).

Zulässige Bedingungen am Lagerort:

Lagertemperatur: -20 ... +70 °C

Folgende Einflüsse vermeiden:

- Direktes Sonnenlicht oder Nähe zu heißen Gegenständen
- Mechanische Vibration, mechanischer Schock (hartes Aufstellen)
- Ruß, Dampf, Staub und korrosive Gase
- Explosionsgefährdete Umgebung, entzündliche Atmosphären

Das Gerät in der Originalverpackung an einem Ort lagern, der die oben gelisteten Bedingungen erfüllt.

5. Inbetriebnahme, Betrieb

Personal: Fachpersonal

Vor Montage, Inbetriebnahme und Betrieb sicherstellen, dass das richtige Gerät hinsichtlich Anzeigebereich, Ausführung und spezifischen Messbedingungen ausgewählt wurde.



WARNUNG!

Körperverletzungen, Sach- und Umweltschäden durch gefährliche Messstoffe

Bei Kontakt mit gefährlichen Messstoffen (z. B. bei brennbaren oder giftigen Stoffen), gesundheitsgefährdenden Messstoffen (z. B. ätzend, giftig, krebserregend, radioaktiv) besteht die Gefahr von Körperverletzungen, Sach- und Umweltschäden.

Am Gerät können im Fehlerfall aggressive Messstoffe mit extremer Temperatur und unter hohem Druck anliegen.

- ▶ Bei diesen Messstoffen müssen über die gesamten allgemeinen Regeln hinaus die einschlägigen Vorschriften beachtet werden.
- ▶ Notwendige Schutzausrüstung tragen.



WARNUNG!

Körperverletzungen, Sach- und Umweltschäden durch unter hohem Druck austretende Messstoffe

Bei der Druckbeaufschlagung des Gerätes kann aufgrund schlechter Abdichtung des Prozessanschlusses Messstoff unter hohem Druck entweichen. Durch die hohe Energie des im Fehlerfall austretenden Messstoffes besteht die Gefahr von Körperverletzungen und Sachschäden.

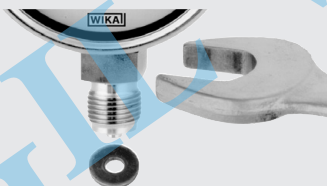
- ▶ Die Abdichtung des Prozessanschlusses muss fachgerecht ausgeführt und auf Dichtheit überprüft werden.

5.1 Mechanischer Anschluss

Entsprechend den allgemeinen technischen Regeln für Manometer (z. B. EN 837-2 „Auswahl- und Einbauempfehlungen für Druckmessgeräte“).

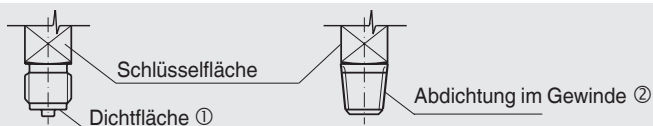
Geräte müssen über den Prozessanschluss geerdet sein. Deshalb sollten am Prozessanschluss elektrisch leitende Dichtungen verwendet werden. Alternativ sind andere Maßnahmen zur Erdung zu ergreifen. Ab Werk angebrachte Maßnahmen zur Erdung (z. B. Schweißpunkte oder Sicherungsplättchen) sind deshalb zur Einbindung der Geräte in den Potentialausgleich zu nutzen und dürfen keinesfalls entfernt werden. Darauf achten, dass nach einer Demontage (z. B. Geräte austausch), die Maßnahmen zur Erdung wieder installiert werden.

Beim Einschrauben der Geräte darf die zum Abdichten erforderliche Kraft nicht über das Gehäuse aufgebracht werden, sondern mit geeignetem Werkzeug nur über die dafür vorgesehenen Schlüsselflächen.



Montage mit Gabelschlüssel

Für zylindrische Gewinde sind an der Dichtfläche ① Flachdichtungen, Dichtlinen oder WIKA-Profilabdichtungen einzusetzen. Bei kegeligen Gewinden (z. B. NPT-Gewinde) erfolgt die Abdichtung im Gewinde ②, mit geeignetem Dichtungswerkstoff (EN 837-2).



Das Anzugsmoment ist von der eingesetzten Dichtung abhängig. Um das Messgerät in die Stellung zu bringen, in der es sich am besten ablesen lässt, ist ein Anschluss mit Spannmuffe oder Überwurfmutter zu empfehlen. Sofern ein Gerät eine Entlastungsöffnung besitzt, muss diese vor Blockierung durch Geräteteile oder Schmutz geschützt sein.

Installation

- Nennlage nach EN 837-3 / 9.6.6 Bild 7: 90° (⊥)
- Prozessanschluss unten
- Bei gefüllten Ausführungen muss vor Inbetriebnahme das Entlüftungsventil an der Oberseite des Gehäuses geöffnet werden!
- Bei Anwendungen im Freien ist ein für die angegebene Schutzart geeigneter Aufstellort zu wählen, damit das Gerät keinen unzulässigen Witterungseinflüssen ausgesetzt ist.
- Um zusätzliche Aufheizung zu vermeiden, dürfen die Geräte im Betrieb keiner direkten Sonneneinstrahlung ausgesetzt werden!
- Für eine sichere Druckentlastung im Fehlerfall muss bei Geräten mit Entlastungsöffnung oder ausblasbarer Rückwand ein Abstand von mindestens 20 mm zu jedem Gegenstand eingehalten werden.

Anforderungen an die Einbaustelle

Ist die Leitung zum Messgerät für eine erschütterungsfreie Anbringung nicht stabil genug, sollte die Befestigung mittels Messgerätehalterung erfolgen. Können Erschütterungen nicht durch geeignete Installationen vermieden werden, dann sollten gefüllte Geräte eingesetzt werden. Die Geräte sind vor grober Verschmutzung und starken Schwankungen der Umgebungstemperatur zu schützen.

Zulässige Schwingungsbelastung am Einbauort

Die Geräte sollten grundsätzlich nur an Stellen ohne Schwingungsbelastung eingebaut werden. Gegebenenfalls kann z. B. durch eine flexible Verbindungsleitung von der Messstelle zum Gerät und die Befestigung über eine Messgerätehalterung eine Entkopplung vom Einbauort erreicht werden.

Falls dies nicht möglich ist, dürfen folgende Grenzwerte nicht überschritten werden:

Frequenzbereich < 150 Hz

Beschleunigung < 0,5 g (5 m/s²)

Prüfanschluss

In bestimmten Anwendungsfällen (z. B. Dampfkessel) müssen die Absperrarmaturen einen Prüfanschluss besitzen, damit das Gerät ohne Ausbau überprüft werden kann.

Temperaturbelastung

Die Anbringung des Gerätes ist so auszuführen, dass die zulässige Betriebstemperatur, auch unter Berücksichtigung des Einflusses von Konvektion und Wärmestrahlung, weder unter noch überschritten wird. Dazu sind Gerät und Absperrarmatur durch ausreichend lange Messleitungen oder Wassersackrohre zu schützen.

Der Temperatureinfluss auf die Anzeige- bzw. Messgenauigkeit ist zu beachten.



WARNUNG!

Die tatsächliche maximale Oberflächentemperatur hängt nicht vom Gerät selbst ab, sondern hauptsächlich von den Betriebsbedingungen. Bei gasförmigen Stoffen kann sich die Temperatur durch Kompressionswärme erhöhen. In solchen Fällen muss ggf. die Druckänderungsgeschwindigkeit gedrosselt bzw. die zulässige Messstofftemperatur reduziert werden.

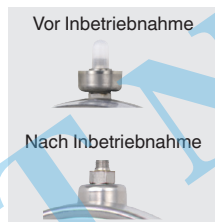
Inbetriebnahme Druckausgleichsventil

Geräte, die mit einem Druckausgleichsventil ausgestattet sind, müssen nach der Installation zur Innendruckkompensation belüftet werden.

Werkzeug: Gabelschlüssel SW 9

1. Kunststoffkappe entfernen
2. Verschraubung oberhalb des Ventilgehäuses lösen
3. Ventilgehäuse um 180° gedreht mit $\leq 4,5$ Nm festschrauben

Informationen zur Schutzart siehe Technische Information IN 00.18



Schutz der Messglieder vor Überlastung

Unterliegt der Messstoff schnellen Druckänderungen oder ist mit Druckstößen zu rechnen, dürfen diese nicht direkt auf das Messglied einwirken. Die Druckstöße müssen in ihrer Wirkung gedämpft werden, z. B. durch Einbau einer Drosselstrecke (Verringerung des Querschnittes im Druckkanal) oder durch Vorschaltung einer einstellbaren Drosselvorrichtung.

Druckentnahmestutzen

Der Druckentnahmestutzen soll mit einer genügend großen Bohrung (≥ 6 mm) möglichst über ein Absperrorgan so angeordnet werden, dass die Druckentnahme nicht durch eine Strömung des Messstoffes verfälscht wird. Die Messleitung zwischen Druckentnahmestutzen und Gerät soll zur Vermeidung von Verstopfung und Verzögerungen bei der Druckübertragung einen genügend großen Innendurchmesser besitzen.

Messleitung

Die Messleitungen sind möglichst kurz zu halten und ohne scharfe Krümmungen zu verlegen, um das Auftreten störender Verzugzeiten zu vermeiden. Bei der Verlegung wird eine stetige Neigung von ca. 1:15 empfohlen.





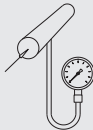
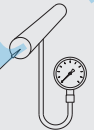
Die Messleitung ist so auszuführen und zu montieren, dass sie die auftretenden Belastungen durch Dehnung, Schwingung und Wärmeeinwirkung aufnehmen kann. Bei Gasen als Messstoff ist an der tiefsten Stelle eine Entwässerung, bei flüssigen Messstoffen an der höchsten Stelle eine Entlüftung vorzusehen.

Die Messgeräte müssen gemäß EN 837-1 in der üblichen Einbaulage, mit einer max. zulässigen Neigung von 5° zu allen Seiten, montiert werden.

5. Inbetriebnahme, Betrieb

Messanordnungen

Bewährte Messanordnungen für verschiedene Messstoffarten.

	Flüssige Messstoffe			Gasförmige Messstoffe		
	flüssig	zum Teil ausgasend	vollständig verdampft	gasförmig	zum Teil kondensiert (feucht)	vollständig kondensiert
Füllung der Messleitung						
Beispiele	Kondensat	siedende Flüssigkeiten	„Flüssiggase“	trockene Luft	feuchte Luft Rauchgase	Wasserdampf
Manometer oberhalb des Entnahmetzens						
Manometer unterhalb des Entnahmetzens						

5.2 Elektrischer Anschluss

Der elektrische Anschluss darf nur durch qualifiziertes Fachpersonal erfolgen. Die Belegung der Anschlüsse und die Schaltfunktionen sind auf dem Typenschild am Gerät angegeben und die Anschlussklemmen sowie die Erdungsklemme sind entsprechend gekennzeichnet. Das Gerät muss in den Potentialausgleich der Anlage eingebunden werden. Das Gerät darf nur in Verbindung mit entsprechendem Trennschaltverstärker (siehe Kapitel 9.4, Typ 904.xx) betrieben werden.

Leistungsdaten (siehe Kapitel 9 „Technische Daten“)

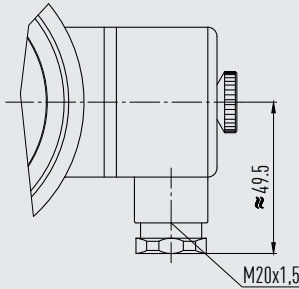
Sicherheitshinweise bei Installation

- Geräte gemäß Herstellerangaben und den gültigen Normen und Regeln installieren.
- An die Schaltkontakte und Anschlussleitungen des Gerätes nur Stromkreise mit gleicher Spannung bzw. von gleicher Schutzart anschließen.
- Anschlussleitungen für die größte Stromstärke in den Stromkreisen bemessen und auf ausreichende UV- und mechanische Beständigkeit achten.
- Bei flexiblen Anschlussleitungen isolierte Aderendhülsen verwenden. Max. zulässiger Leitungsquerschnitt 1,5 mm².

5. Inbetriebnahme, Betrieb

- Anschlussleitungen müssen für den Umgebungstemperaturbereich der Applikation geeignet sein.
- Die Anschlussleitungen müssen auch für die mitgelieferte Kabelverschraubung geeignet sein (Durchmesserbereich siehe unten).

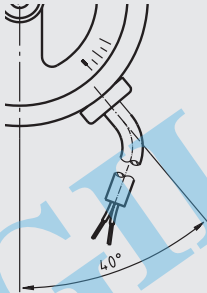
Standard-Kabeldose (NG 100 und 160)



14336089.01

Nur Kabel mit Durchmesser 7 ... 13 mm verwenden

Kabelausgang (NG 50 und 63)



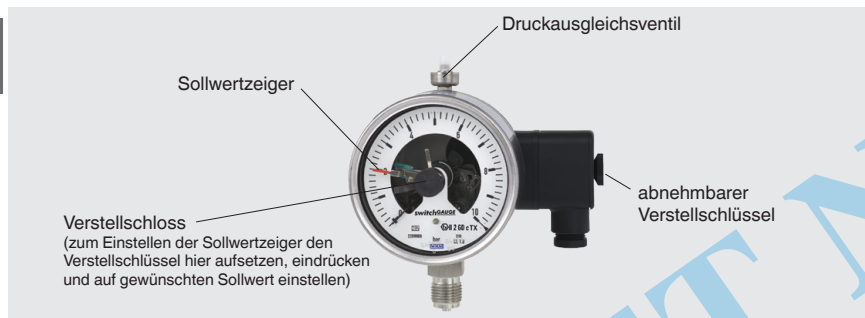
11449056.01

- Kabeleinführung mit den entsprechend zugelassenen Kabelverschraubungen dicht verschließen.
- Anschlusskabel fest verlegen.

5. Inbetriebnahme, Betrieb / 6. Störungen

5.3 Einstellen der Sollwertzeiger

Das Einstellen der Sollwerte erfolgt über das Verstellverschluss in der Sichtscheibe mit Hilfe des Verstellschlüssels (gehört zum Lieferumfang; befindet sich bei Standardgeräten seitlich an der Kabeldose).



Die Sollwertzeiger der Induktivkontakte sind im gesamten Skalenbereich frei einstellbar. Aus Gründen der Schaltgenauigkeit, der Schaltsicherheit und der Lebensdauer der mechanischen Messsysteme sollen die Schaltpunkte zwischen 10 % und 90 % der Messspanne liegen.

5.4 Inbetriebnahme

Druckstöße unbedingt vermeiden, Absperrventile langsam öffnen.

6. Störungen



GEFAHR!

Lebensgefahr durch Explosion

Durch Arbeiten in entzündlichen Atmosphären besteht Explosionsgefahr, die zum Tod führen kann.

- ▶ Störungen nur in nicht-entzündlichen Atmosphären beseitigen!



VORSICHT!

Körperverletzungen, Sach- und Umweltschäden

Können Störungen mit Hilfe der aufgeführten Maßnahmen nicht beseitigt werden, Gerät unverzüglich außer Betrieb setzen.

- ▶ Sicherstellen, dass kein Druck bzw. Signal mehr anliegt und gegen versehentliche Inbetriebnahme schützen.
- ▶ Kontakt mit dem Hersteller aufnehmen.
- ▶ Bei notwendiger Rücksendung die Hinweise unter Kapitel 8.2 „Rücksendung“ beachten.



WARNUNG!

Körperverletzungen, Sach- und Umweltschäden durch gefährliche Messstoffe

Bei Kontakt mit gefährlichen Messstoffen (z. B. Sauerstoff, Acetylen, brennbaren oder giftigen Stoffen), gesundheitsgefährdenden Messstoffen (z. B. ätzend, giftig, krebserregend, radioaktiv) sowie bei Kälteanlagen, Kompressoren besteht die Gefahr von Körperverletzungen, Sach- und Umweltschäden.

Am Gerät können im Fehlerfall aggressive Messstoffe mit extremer Temperatur und unter hohem Druck oder Vakuum anliegen.

- ▶ Bei diesen Messstoffen müssen über die gesamten allgemeinen Regeln hinaus die einschlägigen Vorschriften beachtet werden.
- ▶ Notwendige Schutzausrüstung tragen.



Kontaktaten siehe Kapitel 1 „Allgemeines“ oder Rückseite der Betriebsanleitung.

Störungen	Ursachen	Maßnahmen
Kontakt schaltet nicht mehr gemäß Spezifikation.	Elektrische Verbindung ist unterbrochen.	Durchgangsprüfung der elektrischen Verbindungsleitungen durchführen.
	Elektrische Last für den Schaltkontakt-Typ ungeeignet.	Zulässige elektrische Lasten des Schaltkontakt-Typs einhalten.
	Kontakt verunreinigt.	
Fehlerstrom-Schutzeinrichtung des Stromkreises löst aus.	Isolationsfehler	Gerät austauschen.
Kontaktprellen (mehrfaches, kurzzeitiges Öffnen und Schließen).	Vibrationen	Gerät mechanisch entkoppeln.
Keine Zeigerbewegung trotz Druckänderung.	Messwerk blockiert.	Gerät austauschen.

Für den Austausch des Gerätes die Kapitel 8 „Demontage, Rücksendung und Entsorgung“ und 5 „Inbetriebnahme, Betrieb“ beachten.

7. Wartung und Reinigung

7.1 Wartung

Die Geräte sind wartungsfrei.

Eine Überprüfung der Anzeige und der Schaltfunktion sollte etwa 1- bis 2-mal pro Jahr erfolgen. Die Überprüfung kann getrennt vom Prozess mit einer Druckprüfvorrichtung durchgeführt werden.

Prüfung gefüllter Geräte

Für gefüllte Geräte ist der Füllstand etwa 1- bis 2-mal pro Jahr zu überprüfen. Der Flüssigkeitsspiegel darf nicht unter 75 % des Gerätedurchmessers fallen.



WARNUNG!

Lebensgefahr durch unzulässiges Füllen/Nachfüllen des Gerätes mit Verlust des Explosionsschutzes

Das Füllen/Nachfüllen von Geräten von nicht-autorisierten Personen führt zum Verlust des Explosionsschutzes und kann zur Beschädigung des Gerätes führen.

- ▶ Instandsetzung der Geräte nur durch autorisierte Stellen durchführen lassen
- ▶ Bei notwendiger Rücksendung die Hinweise unter Kapitel 8.2 „Rücksendung“ beachten.

Reparaturen sind ausschließlich vom Hersteller durchzuführen.

7.2 Reinigung



VORSICHT!

Körperverletzungen, Sach- und Umweltschäden

Eine unsachgemäße Reinigung führt zu Körperverletzungen, Sach- und Umweltschäden. Messstoffreste im ausgebauten Gerät können zur Gefährdung von Personen, Umwelt und Einrichtung führen.

- ▶ Reinigungsvorgang wie folgt beschrieben durchführen.

1. Vor der Reinigung das Gerät ordnungsgemäß von der Druckversorgung trennen, ausschalten und vom Netz trennen.
2. Notwendige Schutzausrüstung verwenden.
3. Das Gerät mit einem feuchten Tuch reinigen.
Elektrische Anschlüsse nicht mit Feuchtigkeit in Berührung bringen!



VORSICHT!

Beschädigung des Gerätes

Eine unsachgemäße Reinigung führt zur Beschädigung des Gerätes!

- ▶ Keine aggressiven Reinigungsmittel verwenden.
- ▶ Keine harten und spitzen Gegenstände zur Reinigung verwenden.

4. Ausgebautes Gerät spülen bzw. säubern, um Personen und Umwelt vor Gefährdung durch anhaftende Messstoffreste zu schützen.

8. Demontage, Rücksendung und Entsorgung



WARNUNG!

Körperverletzungen, Sach- und Umweltschäden durch Messstoffreste

Messstoffreste im ausgebauten Gerät können zur Gefährdung von Personen, Umwelt und Einrichtung führen.

- ▶ Notwendige Schutzausrüstung tragen.
- ▶ Angaben im Sicherheitsdatenblatt für den entsprechenden Messstoff beachten.
- ▶ Ausgebautes Gerät spülen bzw. säubern, um Personen und Umwelt vor Gefährdung durch anhaftende Messstoffreste zu schützen.

8.1 Demontage



WARNUNG!

Verbrennungsgefahr

Beim Ausbau besteht Gefahr durch austretende, gefährlich heiße Messstoffe.

- ▶ Vor dem Ausbau das Gerät ausreichend abkühlen lassen!



GEFAHR!

Lebensgefahr durch elektrischen Strom

Bei Berührung mit spannungsführenden Teilen besteht unmittelbare Lebensgefahr.

- ▶ Die Demontage des Gerätes darf nur durch Fachpersonal erfolgen.
- ▶ Gerät im stromlosen Zustand demontieren.



WARNUNG!

Körperverletzung

Bei der Demontage besteht Gefahr durch aggressive Messstoffe und hohe Drücke.

- ▶ Angaben im Sicherheitsdatenblatt für den entsprechenden Messstoff beachten.
- ▶ Gerät im drucklosen Zustand demontieren.

Gegebenenfalls muss die Messleitung entspannt werden. Bei Plattenfederanometern dürfen die Spanschrauben des Ober- und Unterflansches nicht gelöst werden.

8.2 Rücksendung

Beim Versand des Gerätes unbedingt beachten:

Alle an WIKA gelieferten Geräte müssen frei von Gefahrstoffen (Säuren, Laugen, Lösungen, etc.) sein und sind daher vor der Rücksendung zu reinigen.

8. Demontage



WARNUNG!

Körperverletzungen, Sach- und Umweltschäden durch Messstoffreste
Messstoffreste im ausgebauten Gerät können zur Gefährdung von Personen, Umwelt und Einrichtung führen.

- ▶ Bei Gefahrstoffen das Sicherheitsdatenblatt für den entsprechenden Messstoff beilegen.
- ▶ Gerät reinigen, siehe Kapitel 7.2 „Reinigung“.

Zur Rücksendung des Gerätes die Originalverpackung oder eine geeignete Transportverpackung verwenden.



Hinweise zur Rücksendung befinden sich in der Rubrik „Service“ auf unserer lokalen Internetseite.

8.3 Entsorgung

Durch falsche Entsorgung können Gefahren für die Umwelt entstehen. Gerätekomponenten und Verpackungsmaterialien entsprechend den landesspezifischen Abfallbehandlungs- und Entsorgungsvorschriften umweltgerecht entsorgen.



Nicht mit dem Hausmüll entsorgen. Für eine geordnete Entsorgung gemäß nationaler Vorgaben sorgen.

9. Technische Daten



GEFAHR!

Lebensgefahr durch Verlust des Explosionsschutzes

Das Nichtbeachten der Angaben für den Einsatz in explosionsgefährdeten Bereichen führt zum Verlust des Explosionsschutzes.

- ▶ Nachfolgende Grenzwerte und technische Angaben einhalten.
- ▶ Das Gehäuse enthält Teile aus nichtmetallischem Werkstoff, die aufgrund von Umgebungsbedingungen negativ beeinflusst werden können. Es muss sichergestellt werden, dass die nichtmetallischen Teile durch die Umgebungsbedingungen keinen Schaden nehmen.

Nichtmetallische Teile des Gehäuses

PUR, TPU, PA 6, EPDM, NBR (Option), FMQ (Option)

9.1 Standard-Kabeldose (nur NG 100 und 160)

Kabeldose, rechts am Gehäuse montiert.

Werkstoff: PA 6, schwarz

Nach VDE 0110 Isolationsgruppe C/250 V

Kabelverschraubung M20 x 1,5 (nach unten abgehend) mit Zugentlastung

6 Schraubklemmen + PE für Leiterquerschnitt 1,5 mm²

9.2 Kabelausgang (nur NG 50 und 63)

Kabellänge 2 m, nach rechts unten abgehend

Werkstoff: PVC

9.3 Induktivkontakt Typ 831

Der empfohlene Einstellbereich der Kontakte beträgt 10 ... 90 % der Skala (0 ... 100 % auf Anfrage).

Kontaktausführung (siehe Typenschild)

- 831, nur für NG 63
- 831-N
- 831-SN, Sicherheitsausführung ¹⁾
- 831-3.5N
- 831-3.5SN Sicherheitsausführung ¹⁾
- 831-3.5S1N Sicherheitsausführung ¹⁾, invertiertes Signal

¹⁾ nur mit entsprechendem Trennschaltverstärker betreiben (siehe Kapitel 9.4, Typ 904.3x)

9. Technische Daten

Sicherheitstechnische Höchstwerte

Kontaktausführung	Ui	Ii	Pi	Ci	Li
831	20 V	60 mA	130 mW	250 nF	350 µH
831-N	16 V	25 mA	64 mW	30 nF	100 µH
831-SN	16 V	25 mA	64 mW	30 nF	100 µH
831-3.5N	16 V	25 mA	64 mW	50 nF	250 µH
831-3.5S1N	16 V	25 mA	64 mW	30 nF	100 µH
831-3.5SN	16 V	25 mA	64 mW	30 nF	100 µH

Zulässige Temperaturbereiche

Kontaktausführung	T6	T5 ... T1	T95°	T135°C
831	-20 ... +60 °C	-20 ... +70 °C	-20 ... +70 °C	-
831-N	-20 ... +60 °C	-20 ... +70 °C	-	-20 ... +70 °C
831-SN	-20 ... +60 °C	-20 ... +70 °C	-	-20 ... +70 °C
831-3.5N	-20 ... +60 °C	-20 ... +70 °C	-	-20 ... +70 °C
831-3.5S1N	-20 ... +60 °C	-20 ... +70 °C	-	-20 ... +70 °C
831-3.5SN	-20 ... +60 °C	-20 ... +70 °C	-	-20 ... +70 °C

Weitere Informationen siehe Anhang „EU-Konformitätserklärung“

9.4 Zugehörige Trennschaltverstärker

Typ	Anzahl der Kontakte	Sicherheitstechnik
904.28 KFA6 - SR2 - Ex1.W	1	nein
904.29 KFA6 - SR2 - Ex2.W	2	nein
904.30 KHA6 - SH - Ex1	1	ja
904.33 KFD2 - SH - Ex1	1	ja



Die oben genannten Trennschaltverstärker sind Beispiele. Unter der Voraussetzung, dass die sicherheitstechnischen Höchstwerte eingehalten werden, können auch andere Trennschaltverstärker eingesetzt werden.

9. Technische Daten

9.5 Kontaktmanometer

Typ 111.11.050

Druckbelastbarkeit	
Ruhebelastung	3/4 x Skalenendwert
Wechselbelastung	2/3 x Skalenendwert
Kurzzeitig	Skalenendwert
Temperatureinfluss	Bei Abweichung von der Referenztemperatur (+20 °C) am Messsystem: max. $\pm 0,4 \%$ /10 K vom jeweiligen Skalenendwert
Werkstoffe messstoffberührt	
Prozessanschluss, Messglied	Kupferlegierung
Werkstoffe nicht-messstoffberührt	
Gehäuse, Bajonnettring	CrNi-Stahl
Zeigerwerk	Kupferlegierung, Laufteile Neusilber
Zifferblatt	Aluminium, weiß, Skalierung schwarz
Instrumentenzeiger	Kunststoff, schwarz
Sollwertzeiger	Kunststoff, rot
Sichtscheibe	Polycarbonat
Schutzart nach IEC/EN 60529	IP54

Weitere technische Daten siehe Datenblatt PM 01.03

Typ 131.11.050

Druckbelastbarkeit	
Ruhebelastung	3/4 x Skalenendwert
Wechselbelastung	2/3 x Skalenendwert
Kurzzeitig	Skalenendwert
Temperatureinfluss	Bei Abweichung von der Referenztemperatur (+20 °C) am Messsystem: max. $\pm 0,4 \%$ /10 K vom jeweiligen Skalenendwert
Werkstoffe messstoffberührt	
Prozessanschluss, Messglied	CrNi-Stahl 1.4571, CrNi-Stahl 316L
Werkstoffe nicht-messstoffberührt	
Gehäuse, Zeigerwerk, Bajonnettring	CrNi-Stahl
Zifferblatt	Aluminium, weiß, Skalierung schwarz
Instrumentenzeiger	Aluminium, schwarz
Sollwertzeiger	Aluminium, rot
Sichtscheibe	Polycarbonat
Schutzart nach IEC/EN 60529	IP54

Weitere technische Daten siehe Datenblatt PM 01.05

9. Technische Daten

Typ PGS23.063, PGS26.063

Druckbelastbarkeit	
Ruhebelastung	3/4 x Skalenendwert
Wechselbelastung	2/3 x Skalenendwert
Kurzzeitig	Skalenendwert
Temperatureinfluss	
Bei Abweichung von der Referenztemperatur (+20 °C) am Messsystem: max. ±0,4 %/10 K vom jeweiligen Skalenendwert	
Werkstoffe messstoffberührt	
Prozessanschluss, Messglied	PGS23.063: CrNi-Stahl 1.4571, CrNi-Stahl 316L PGS26.063: Monel
Werkstoffe nicht-messstoffberührt	
Gehäuse, Zeigerwerk, Bajonettring	CrNi-Stahl
Zifferblatt	Aluminium, weiß, Skalierung schwarz
Instrumentenzeiger	Aluminium, schwarz
Sollwertzeiger	Aluminium, rot
Sichtscheibe	Mehrschichten-Sicherheitsglas
Schutzart nach IEC/EN 60529	
IP54	

Weitere technische Daten siehe Datenblatt PV 22.03

Typen PGS23.100, PGS23.160, PGS26.100, PGS26.160

Druckbelastbarkeit	
Ruhebelastung	Skalenendwert
Wechselbelastung	0,9 x Skalenendwert
Kurzzeitig	1,3 x Skalenendwert
Temperatureinfluss	
Bei Abweichung von der Referenztemperatur (+20 °C) am Messsystem: max. ±0,4 %/10 K vom jeweiligen Skalenendwert	
Werkstoffe messstoffberührt	
Prozessanschluss, Messglied	PGS23.100, PGS23.160: CrNi-Stahl 316L PGS26.100, PGS26.160: Monel
Werkstoffe nicht-messstoffberührt	
Gehäuse, Zeigerwerk, Bajonettring	CrNi-Stahl
Zifferblatt	Aluminium, weiß, Skalierung schwarz
Instrumentenzeiger	Aluminium, schwarz
Sollwertzeiger	Aluminium, rot
Sichtscheibe	Mehrschichten-Sicherheitsglas
Schutzart nach IEC/EN 60529	
IP65 ¹⁾ ; Option: IP66	

1) Schutzart IP54 bei Sicherheitsausführung und Anschlusslage rückseitig exzentrisch unten.

Weitere technische Daten siehe Datenblatt PV 22.02

9. Technische Daten

Typen PGS43.100, PGS43.160

Druckbelastbarkeit	
Ruhebelastung	Skalenendwert
Wechselbelastung	0,9 x Skalenendwert
Kurzzeitig	5 x Skalenendwert, jedoch max. 40 bar
Temperatureinfluss	
Bei Abweichung von der Referenztemperatur (+20 °C) am Messsystem: max. ±0,8 %/10 K vom jeweiligen Skalenendwert	
Werkstoffe messstoffberührt	
Prozessanschluss mit unterem Messflansch	CrNi-Stahl 316L
Messglied	≤ 0,25 bar: CrNi-Stahl 316L > 0,25 bar: NiCr-Legierung (Inconel)
Dichtung	FPM/FKM
Werkstoffe nicht-messstoffberührt	
Gehäuse, Zeigerwerk, Bajonettring	CrNi-Stahl
Zifferblatt	Aluminium, weiß, Skalierung schwarz
Instrumentenzeiger	Aluminium, schwarz
Sollwertzeiger	Aluminium, rot
Sichtscheibe	Mehrschichten-Sicherheitsglas
Schutzart nach IEC/EN 60529	IP54

Weitere technische Daten siehe Datenblatt PV 24.03

Typ 232.35.063

Druckbelastbarkeit	
Ruhebelastung	3/4 x Skalenendwert
Wechselbelastung	2/3 x Skalenendwert
Kurzzeitig	Skalenendwert
Temperatureinfluss	
Bei Abweichung von der Referenztemperatur (+20 °C) am Messsystem: max. ±0,4 %/10 K vom jeweiligen Skalenendwert	
Werkstoffe messstoffberührt	
Prozessanschluss, Messglied	CrNi-Stahl 316L
Werkstoffe nicht-messstoffberührt	
Gehäuse, Zeigerwerk, Bajonettring	CrNi-Stahl
Zifferblatt	Aluminium, weiß, Skalierung schwarz
Zeiger	Aluminium, schwarz
Sichtscheibe	Mehrschichten-Sicherheitsglas
Schutzart nach IEC/EN 60529	IP54

Weitere technische Daten siehe Datenblatt PM 02.11

9. Technische Daten

Typen 432.56, 432.36

Druckbelastbarkeit	
Ruhebelastung	Skalenendwert
Wechselbelastung	0,9 x Skalenendwert
Kurzzeitig	40, 100 oder 400 bar
Temperatureinfluss	Bei Abweichung von der Referenztemperatur (+20 °C) am Messsystem: max. $\pm 0,8 \%$ /10 K vom jeweiligen Skalenendwert
Werkstoffe messstoffberührt	
Prozessanschluss mit unterem Messflansch	CrNi-Stahl 316L
Messglied	$\leq 0,25$ bar: CrNi-Stahl 316L > 0,25 bar: NiCr-Legierung (Inconel)
Dichtung	FPM/FKM
Werkstoffe nicht-messstoffberührt	
Gehäuse, Zeigerwerk, Bajonettring	CrNi-Stahl
Zifferblatt	Aluminium, weiß, Skalierung schwarz
Instrumentenzeiger	Aluminium, schwarz
Sollwertzeiger	Aluminium, rot
Sichtscheibe	Mehrschichten-Sicherheitsglas
Schutzart nach IEC/EN 60529	IP54

Weitere technische Daten siehe Datenblatt PV 24.07

Typen 532.52, 532.53 und 532.54

Druckbelastbarkeit	
Ruhebelastung	Skalenendwert
Wechselbelastung	0,9 x Skalenendwert
Kurzzeitig	mindestens 1 bar Absolutdruck (Atmosphärendruck), darüber hinaus 10 x Skalenendwert, max. 25 bar Absolutdruck
Temperatureinfluss	Bei Abweichung von der Referenztemperatur (+20 °C) am Messsystem: max. $\pm 0,8 \%$ /10 K vom jeweiligen Skalenendwert
Werkstoffe messstoffberührt	
Prozessanschluss mit Messkammer	CrNi-Stahl 1.4571
Messglied	$\leq 0,25$ bar: CrNi-Stahl 1.4571 > 0,25 bar: NiCr-Legierung (Inconel)
Werkstoffe nicht-messstoffberührt	
Gehäuse, Zeigerwerk, Bajonettring	CrNi-Stahl
Zifferblatt	Aluminium, weiß, Skalierung schwarz
Zeiger	Aluminium, schwarz
Sichtscheibe	Mehrschichten-Sicherheitsglas
Schutzart nach IEC/EN 60529	IP54

Weitere technische Daten siehe Datenblatt PV 25.02

9. Technische Daten

Typ 632.51

Druckbelastbarkeit	
Ruhebelastung	Skalenendwert
Wechselbelastung	0,9 x Skalenendwert
Kurzzeitig	50 x Skalenendwert
Temperatureinfluss	
Bei Abweichung von der Referenztemperatur (+20 °C) am Messsystem: max. $\pm 0,6 \%$ /10 K vom jeweiligen Skalenendwert	
Werkstoffe messstoffberührt	
Prozessanschluss mit Messkammer, Messglied	CrNi-Stahl 1.4571
Dichtung	PTFE
Werkstoffe nicht-messstoffberührt	
Gehäuse, Zeigerwerk, Bajonettring	CrNi-Stahl
Zifferblatt	Aluminium, weiß, Skalierung schwarz
Zeiger	Aluminium, schwarz
Sichtscheibe	Mehrschichten-Sicherheitsglas
Schutzart nach IEC/EN 60529	
IP54	

Weitere technische Daten siehe Datenblatt PV 26.06

Typ 736.51

Druckbelastbarkeit	
Ruhebelastung	Skalenendwert
Wechselbelastung	0,9 x Skalenendwert
Kurzzeitig	⊕-Seite: 200 mbar
Temperatureinfluss	
Bei Abweichung von der Referenztemperatur (+20 °C) am Messsystem: max. $\pm 0,6 \%$ /10 K vom jeweiligen Skalenendwert	
Werkstoffe messstoffberührt	
Prozessanschluss, Messglied, Messzelle	CrNi-Stahl 1.4571
Dichtungen	PTFE und NBR
Nullpunkteinstellung	CrNi-Stahl
Gehäuse, Zeigerwerk	CrNi-Stahl
Zifferblatt	Aluminium, weiß, Skalierung schwarz
Zeiger	Aluminium, schwarz
Sichtscheibe	Mehrschichten-Sicherheitsglas
Werkstoffe nicht-messstoffberührt	
Bajonettring	CrNi-Stahl
Schutzart nach IEC/EN 60529	
IP66	

Weitere technische Daten siehe Datenblatt PM 07.08

9. Technische Daten

Typen DPGS43.100, DPGS43.160

Druckbelastbarkeit	
Ruhebelastung	Skalenendwert
Wechselbelastung	0,9 x Skalenendwert
Kurzzeitig	mindestens 10 x Skalenendwert, max. 25 bar
Temperatureinfluss	Bei Abweichung von der Referenztemperatur am Messsystem (+20 °C): max. $\pm 0,5 \%$ /10 K vom jeweiligen Skalenendwert
Werkstoffe messstoffberührt	
Prozessanschluss	CrNi-Stahl 316Ti (1.4571)
Messglied	$\leq 0,25$ bar: CrNi-Stahl 316L > 0,25 bar: NiCr-Legierung (Inconel)
Werkstoffe nicht-messstoffberührt	
Gehäuse, Bajonettring	CrNi-Stahl
Zeigerwerk	Messing
Zifferblatt	Aluminium, weiß, Skalierung schwarz
Zeiger	Aluminium, schwarz
Sichtscheibe	Mehrschichten-Sicherheitsglas
Schutzart nach IEC/EN 60529	IP54; Option: IP65

Weitere technische Daten siehe Datenblatt PV 27.05

Typen DPGS43HP.100, DPGS43HP.160

Druckbelastbarkeit	
Ruhebelastung	Skalenendwert
Wechselbelastung	0,9 x Skalenendwert
Kurzzeitig	40, 100, 250 oder 400 bar
Temperatureinfluss	Bei Abweichung von der Referenztemperatur (+20 °C) am Messsystem: max. $\pm 0,5 \%$ /10 K vom jeweiligen Skalenendwert
Werkstoffe messstoffberührt	
Prozessanschluss mit unterem Messflansch	CrNi-Stahl 316L
Messglied	$\leq 0,25$ bar: CrNi-Stahl 1.4571 > 0,25 bar: NiCr-Legierung (Inconel)
Dichtung	FPM/FKM
Werkstoffe nicht-messstoffberührt	
Gehäuse, Zeigerwerk, Bajonettring	CrNi-Stahl
Zifferblatt	Aluminium, weiß, Skalierung schwarz
Zeiger	Aluminium, schwarz
Sichtscheibe	Mehrschichten-Sicherheitsglas
Schutzart nach IEC/EN 60529	IP54; Option: IP65

Weitere technische Daten siehe Datenblatt PV 27.13

Sommaire

1. Généralités	60
2. Conception et fonction	61
2.1 Vue générale61
2.2 Description.61
2.3 Détail de la livraison61
3. Sécurité	62
3.1 Explication des symboles.62
3.2 Utilisation conforme à l'usage prévu62
3.3 Utilisation inappropriée63
3.4 Responsabilité de l'opérateur63
3.5 Qualification du personnel64
3.6 Personnel qualifié64
3.7 Etiquetage, marquages de sécurité64
3.8 Marquage Ex65
3.9 Spécifications et limites de température65
3.10 Conditions spécifiques pour une utilisation sûre (conditions X)67
4. Transport, emballage et stockage	67
4.1 Transport67
4.2 Emballage et stockage.68
5. Mise en service, utilisation	68
5.1 Raccordement mécanique69
5.2 Raccordement électrique72
5.3 Réglage de la valeur de consigne74
5.4 Mise en service74
6. Dysfonctionnements	74
7. Entretien et nettoyage	76
7.1 Entretien76
7.2 Nettoyage76
8. Démontage, retour et mise au rebut	77
8.1 Démontage77
8.2 Retour77
8.3 Mise au rebut78
9. Spécifications	79
9.1 Boîtier de raccordement du câble standard (seulement diam. 100 et 160)79
9.2 Sortie câble (seulement diam. 50 et 63)79
9.3 Contact inductif type 83179
9.4 Amplificateurs d'isolation associés80
9.5 Manomètres à contact(s)81
Annexe : Déclaration de conformité UE	115

Déclarations de conformité disponibles sur www.wika.fr.

1. Généralités

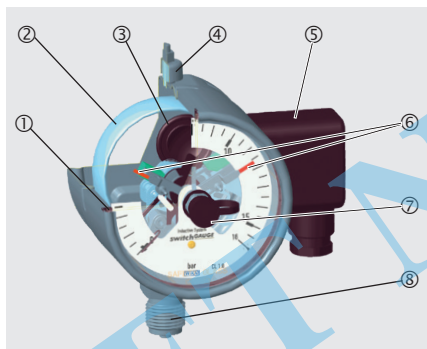
- Le manomètre de contact décrit dans le mode d'emploi est conçu et fabriqué selon les dernières technologies en vigueur. Tous les composants sont soumis à des exigences environnementales et de qualité strictes durant la fabrication. Nos systèmes de gestion sont certifiés selon ISO 9001 et ISO 14001.
- Ce mode d'emploi donne des indications importantes concernant l'utilisation de l'instrument. Il est possible de travailler en toute sécurité avec ce produit en respectant toutes les consignes de sécurité et d'utilisation.
- Respecter les prescriptions locales de prévention contre les accidents et les prescriptions générales de sécurité en vigueur pour le domaine d'application de l'instrument.
- Le mode d'emploi fait partie de l'instrument et doit être conservé à proximité immédiate de l'instrument et accessible à tout moment pour le personnel qualifié.
- Le personnel qualifié doit, avant de commencer toute opération, avoir lu soigneusement et compris le mode d'emploi.
- La responsabilité du fabricant n'est pas engagée en cas de dommages provoqués par une utilisation non conforme à l'usage prévu, de non respect de ce mode d'emploi, d'utilisation de personnel peu qualifié de même qu'en cas de modifications de l'instrument effectuées par l'utilisateur.
- Les conditions générales de vente mentionnées dans les documents de vente s'appliquent.
- Sous réserve de modifications techniques.
- Pour obtenir d'autres informations :
 - Consulter notre site Internet : www.wika.fr
 - Fiche technique correspondante :
 - PM 01.03 (type 111.11.050)
 - PM 01.05 (type 131.11.050)
 - PV 22.02 (types PGS23.1x0, PGS26.1x0)
 - PV 22.03 (types PGS23.063, PGS26.063)
 - PV 24.03 (type PGS43.1x0)
 - PV 27.05 (type DPGS43.1x0)
 - PV 27.13 (type DPGS43HP.1x0)
 - PM 02.11 (type 232.35.063)
 - PV 24.07 (type 432.56)
 - PV 25.02 (type 532.54)
 - PV 26.06 (type 632.51)
 - PM 07.08 (type 736.51)

2. Conception et fonction

2.1 Vue générale

Exemple, type PGS23.100, exécution "S1" selon EN 837

- ① Verre de sécurité feuilleté
- ② Elément de mesure
- ③ Connecteur de l'évent de sécurité
- ④ Robinet d'équilibrage de pression
- ⑤ Raccordement électrique avec boîte de câbles
- ⑥ Indicateur de la valeur de consigne
- ⑦ Orifice de réglage
- ⑧ Raccord process



2.2 Description

Ces manomètres à contact(s) inductif(s) ont été conçus spécifiquement pour des applications en zone explosive. WIKA fabrique et qualifie ces instruments selon EN 837 (pression relative), DIN 16002 (pression absolue), DIN 16003 (pression différentielle) et DIN 16085 (contacts électriques) dans les versions "S1" et "S3".

Exécution "S2" selon EN 837

Cette version est conçue avec un événement de sécurité sur le boîtier.

Exécution de sécurité "S3" selon EN 837

Cette exécution est composée d'un verre de sécurité feuilleté, d'une cloison de sécurité entre le système de mesure et le cadran et d'une paroi arrière éjectable. En cas de panne, l'opérateur est protégé sur l'avant, car le fluide ou les composants peuvent seulement être éjectés par l'arrière du boîtier.

Contact électrique type 831

Les contacts inductifs intégrés sont des capteurs de proximité inductifs à fente sans contact qui sont alimentés à partir d'amplificateurs de commutation avec des circuits certifiés sécurité intrinsèque. Lorsque les valeurs limites réglables sont dépassées, leurs circuits de sortie sont soit ouverts soit fermés.

2.3 Détail de la livraison

Comparer le détail de la livraison avec le bordereau de livraison.

3. Sécurité

3.1 Explication des symboles



AVERTISSEMENT !

... indique une situation présentant des risques susceptibles de provoquer la mort ou des blessures graves si elle n'est pas évitée.



ATTENTION !

... indique une situation potentiellement dangereuse et susceptible de provoquer de légères blessures ou des dommages matériels et pour l'environnement si elle n'est pas évitée.



DANGER !

... indique les dangers liés au courant électrique. Danger de blessures graves ou mortelles en cas de non respect des consignes de sécurité.



AVERTISSEMENT !

... indique une situation en zone explosive présentant des risques susceptibles de provoquer la mort ou des blessures graves si elle n'est pas évitée.



AVERTISSEMENT !

... indique une situation présentant des risques susceptibles de provoquer des brûlures dues à des surfaces ou liquides chauds si elle n'est pas évitée.



Information

... met en exergue des conseils et recommandations utiles de même que des informations permettant d'assurer un fonctionnement efficace et normal.

3.2 Utilisation conforme à l'usage prévu

Ces instruments sont utilisés pour contrôler les valeurs de process et pour surveiller des installations dans des applications industrielles. Le manomètre de contact, avec jusqu'à 3 contacts inductifs intégrés type 831, affiche la pression de process sur site et ouvre ou ferme des circuits à des valeurs de pression définies.

Cet instrument offre de nombreuses possibilités d'application pour fluides gazeux et liquides agressifs non hautement visqueux ou cristallisants.

Utiliser l'instrument uniquement dans des applications qui se trouvent dans les limites de ses performances techniques (par exemple limites de température, compatibilité de matériau, ...).

→ Pour limites de performance voir chapitre 9 "Spécifications"

Ces instruments sont conçus et construits exclusivement pour une utilisation conforme à l'usage prévu décrit ici, et ne doivent être utilisés qu'à cet effet.

Aucune réclamation ne peut être recevable en cas d'utilisation non conforme à l'usage prévu.

3.3 Utilisation inappropriée



AVERTISSEMENT !

Blessures à cause d'une utilisation inappropriée

Une utilisation inappropriée peut conduire à des situations dangereuses et à des blessures.

- ▶ S'abstenir de modifications non autorisées sur l'instrument
- ▶ Ne pas utiliser l'instrument avec un fluide abrasif ou visqueux.
Les exceptions sont des manomètres à membrane (types PGS43 et 432.56) avec des membranes à revêtement spécial (abrasives) ou des versions avec des brides de raccordement ouvertes (visqueuses).

FR

Toute utilisation différente ou au-delà de l'utilisation prévue est considérée comme inappropriée.

3.4 Responsabilité de l'opérateur

L'instrument est prévu pour un usage dans le domaine industriel. L'opérateur est de ce fait responsable des obligations légales en matière de sécurité du travail.

Les instructions de sécurité de ce mode d'emploi comme les réglementations liées à la sécurité, à la prévention des accidents et à la protection de l'environnement pour la zone d'application doivent être respectées.

L'opérateur doit s'assurer que l'étiquette du produit reste lisible.

Afin de travailler en toute sécurité sur l'instrument, la société exploitante doit s'assurer

- qu'un équipement de premier secours adapté est disponible et que les premiers soins peuvent être dispensés sur place à tout moment en cas de besoin.
- que le personnel de service soit formé à intervalles réguliers sur tous les sujets concernant la sécurité du travail, les premiers secours et la protection de l'environnement et qu'il connaît le mode d'emploi et particulièrement les consignes de sécurité contenues dans celui-ci.
- que l'instrument est adapté à l'application en respect de l'usage prévu de l'instrument.
- qu'un équipement de protection est disponible.



Sur les parties en contact avec le fluide, de petites quantités résiduelles de fluide de réglage (par exemple air comprimé, eau, huile) peuvent adhérer, provenant de la production. Avec les exigences accrues concernant la propreté technique, l'opérateur doit vérifier l'aptitude pour l'application avant la mise en service.



Les fluides liquides ayant la propriété de changer de volume lors de la solidification peuvent endommager le système de mesure (par exemple de l'eau si elle passe en-dessous du point de congélation).

3. Sécurité

3.5 Qualification du personnel



AVERTISSEMENT !

Danger de blessure en cas de qualification insuffisante !

Une utilisation non conforme peut entraîner d'importants dommages corporels et matériels.

Les opérations décrites dans ce mode d'emploi ne doivent être effectuées que par un personnel ayant la qualification décrite ci-après.

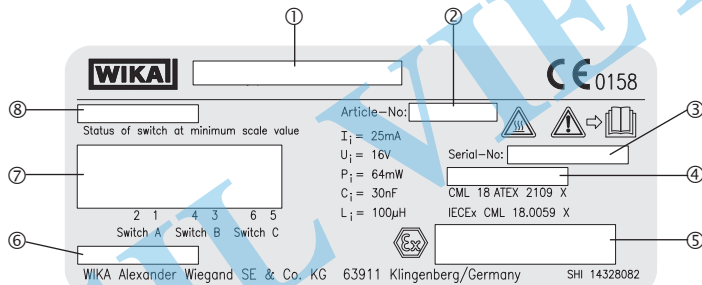
3.6 Personnel qualifié

FR

Le personnel qualifié est, en raison de sa formation spécialisée, de ses connaissances dans le domaine de la technique de mesure et de régulation et de ses expériences de même que de sa connaissance des prescriptions nationales, des normes et directives en vigueur, en mesure d'effectuer les travaux décrits et de reconnaître automatiquement les dangers potentiels.

3.7 Etiquetage, marquages de sécurité

Plaque signalétique (exemple)



① Type + exécution de contact

② Numéro d'article

③ Numéro de série

④ Date de fabrication (mois/année)

⑤ Marquage Ex

⑥ Remplissage de boîtier

⑦ Configuration du raccordement

⑧ Type de contact électrique et fonction de commutation



Lire impérativement le mode d'emploi avant le montage et la mise en service de l'instrument !



Danger de brûlure !

Situation présentant des risques dus à des surfaces chaudes.



L'instrument qui porte ce marquage est un manomètre de sécurité avec cloison de sécurité en conformité avec EN 837, exécution de sécurité "S3".

3. Sécurité



Ne pas mettre au rebut avec les ordures ménagères. Assurer une mise au rebut correcte en conformité avec les réglementations nationales.

3.8 Marquage Ex



DANGER !

Danger vital dû à la perte de la protection contre les explosions

Le non respect de ces instructions et de leurs contenus peut entraîner une perte de la protection contre les explosions.

- ▶ Observer les instructions de sécurité de ce chapitre et les autres instructions liées à la protection contre les explosions de ce mode d'emploi.
- ▶ Respecter les indications de l'attestation d'examen de type valable de même que les prescriptions nationales respectives concernant le montage et l'utilisation en zone explosive (par exemple CEI 60079-14, NEC, CEC).

Contrôler que la classification est adaptée à l'application. Observer les réglementations nationales concernées.

Instruments sans revêtement PTFE

Zone Ex	Diamètre	ATEX	IECEx
Zone 1 gaz	Diam. 50, 63, 100, 160	II 2G	Ex ia IIC T6/T5/T4 Gb
Zone 21 poussière	Diam. 50, 63	II 2D	Ex ia IIIB T95°C/T135°C Db
Zone 21 poussière	Diam. 100, 160	II 2D	Ex ia IIIB T135°C Db

Instruments avec revêtement PTFE

En option avec les types : PGS43.1x0, 432.56

Zone Ex	ATEX	IECEx
Zone 1 gaz	II 2G	Ex ia IIB T6/T5/T4 Gb

3.9 Spécifications et limites de température

Indice de protection selon CEI/EN 60529

Pour des informations sur l'indice de protection de chaque instrument, voir chapitre 9 "Spécifications". Pour l'évaluation IECEx, un indice de protection de IP20 a été présumé.

Plages de températures admissibles

Pour déterminer la température maximale sur l'instrument, outre la température du fluide, d'autres influences telles que la température ambiante et, le cas échéant, le rayonnement solaire doivent être prises en compte.

3. Sécurité

Zone explosive de gaz

Classe de température requise (température d'ignition)	Plage de température admissible sur l'instrument
T6	-20 ... +60 °C
T5 ... T1	-20 ... +70 °C

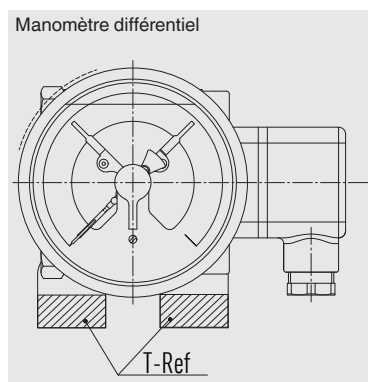
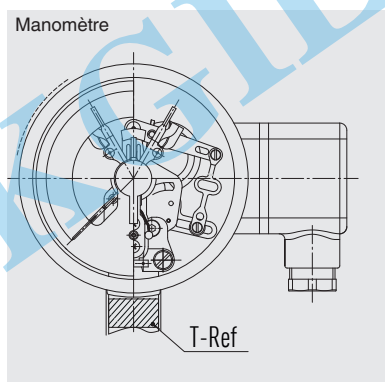
Zone explosive de poussière

Température de surface maximale	Plage de température admissible sur l'instrument
T135°C	-20 ... +60 °C (+70 °C en option)
T95°C (seulement avec diam. 63)	-20 ... +60 °C (+70 °C en option)

L'installation doit être faite de telle sorte que la plage de température de l'instrument, compte tenu également des effets de convection et de rayonnement thermique, ne dépasse ni ne tombe au-dessous des limites admissibles.

Les plages de température admissible des différents types de contact ne doivent pas être dépassées non plus sur l'instrument. Si nécessaire, il faut prendre des mesures pour le refroidissement (par exemple siphon, soupape d'instrumentation, séparateur etc.).

L'opérateur doit assurer la conformité avec la plage de température admissible lors du fonctionnement. La zone indiquée dans l'image suivante "T-Ref" peut être utilisée dans ce but.



3.10 Conditions spécifiques pour une utilisation sûre (conditions X)

- i. La classe de température et la température maximale ambiante admissible dépendent des options installées dans les installations et peuvent ne pas être marquées sur la plaque signalétique. L'utilisateur se référera à ce certificat et aux instructions du matériel pour obtenir des détails concernant la classe de température applicable et la plage de température ambiante.
- ii. L'utilisateur doit considérer le fait que la chaleur peut être transportée le long de l'instrument de mesure et que l'équipement ne doit pas dépasser la température ambiante maximale admissible. Pour plus d'informations, se référer au mode d'emploi.
- iii. Les instruments qui contiennent un revêtement PTFE peuvent être identifiés pour une utilisation en Groupe IIB seulement. L'utilisateur devra s'assurer que les instruments identifiés comme tels ne sont pas utilisés dans des zones explosives appartenant au Groupe IIC Gaz ou au Groupe III Poussière.
- iv. Les instruments qui contiennent un revêtement PTFE peuvent être identifiés pour une utilisation en zone explosive en Groupe IIC Gaz et Groupe IIB Poussière. De tels instruments sont munis d'une étiquette d'avertissement informant l'utilisateur d'un danger électrostatique potentiel dans la zone du raccord process. L'utilisateur devra prendre toutes les précautions nécessaires pour réduire le risque de décharges électrostatiques au sein du raccord process.
- v. L'équipement peut contenir un câble intégral. L'utilisateur devra vérifier que, lorsqu'il est installé, le câble est bien mis en place et protégé contre tout dommage mécanique.
- vi. Pour les applications de Groupe III, dans certaines circonstances extrêmes, le revêtement non-métallique du boîtier de l'équipement peut générer un niveau de charge électrostatique susceptible de s'enflammer. C'est pourquoi l'équipement ne doit pas être installé dans un endroit où les conditions extérieures provoquent la formation de charges électrostatiques sur de telles surfaces. L'utilisateur ou l'installateur doit mettre en œuvre des précautions pour empêcher la formation de charges électrostatiques, par exemple placer l'équipement à un endroit où il y a peu de chances qu'un mécanisme créant de telles charges (comme de la poussière emportée par le vent) soit présent et nettoyer avec un chiffon humide.

4. Transport, emballage et stockage

4.1 Transport

Vérifier s'il existe des dégâts sur l'instrument liés au transport.
Communiquer immédiatement les dégâts constatés.



ATTENTION !

Dommages liés à un transport inapproprié

Un transport inapproprié peut donner lieu à des dommages importants.

- ▶ Lors du déchargement des colis à la livraison comme lors du transport des colis en interne après réception, il faut procéder avec soin et observer les consignes liées aux symboles figurant sur les emballages.
- ▶ Lors du transport en interne après réception, observer les instructions du chapitre 4.2 "Emballage et stockage".



Les chocs peuvent causer la formation de petites bulles dans le fluide de remplissage des instruments remplis. Ceci n'a aucun effet sur le fonctionnement de l'instrument.

4.2 Emballage et stockage

N'enlever l'emballage qu'avant le montage.

Conserver l'emballage, celui-ci offre, lors d'un transport, une protection optimale (par ex. changement de lieu d'utilisation, renvoi pour réparation).

Conditions admissibles sur le lieu de stockage :

Température de stockage : -20 ... +70 °C

Eviter les influences suivantes :

- Lumière solaire directe ou proximité d'objets chauds
- Vibrations mécaniques, chocs mécaniques (mouvements brusques en le posant)
- Suie, vapeur, poussière et gaz corrosifs
- Environnements dangereux, atmosphères inflammables

Conserver l'instrument dans l'emballage original dans un endroit qui satisfait aux conditions susmentionnées.

5. Mise en service, utilisation

Personnel : personnel qualifié

Avant l'installation, la mise en service et le fonctionnement, assurez-vous que l'instrument approprié a été choisi en termes d'échelle de mesure, d'exécution et de conditions de mesure spécifiques.



AVERTISSEMENT !

Blessures physiques et dommages aux équipements et à l'environnement causés par un fluide dangereux

Lors du contact avec un fluide dangereux (par exemple avec des substances inflammables ou toxiques), un fluide nocif (par exemple corrosif, toxique, cancérigène, radioactif), il y a un danger de blessures physiques et de dommages aux équipements et à l'environnement.

En cas d'erreur, des fluides agressifs peuvent être présents à une température extrême et sous une pression élevée au niveau de l'instrument.

- ▶ Pour ces fluides, les codes et directives appropriés existants doivent être observés en plus des régulations standards.
- ▶ Porter l'équipement de protection requis.



AVERTISSEMENT !

Blessures physiques et dommages aux équipements et à l'environnement causés par un fluide qui s'échapperait sous haute pression

Avec la pressurisation de l'instrument, si l'étanchéité du raccord process est insuffisante, des fluides sous haute pression peuvent s'échapper.

En raison de la haute énergie du fluide qui pourrait s'échapper en cas de défaillance, il existe un danger de blessures physiques et de dommages au matériel.

- ▶ L'étanchéité du raccord process doit être effectuée par des spécialistes et vérifiée pour voir s'il y a des fuites.

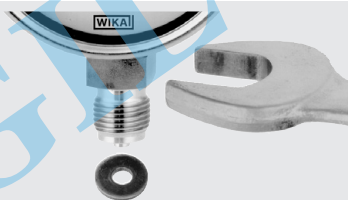
FR

5.1 Raccordement mécanique

Conformément aux règles techniques générales pour les manomètres (par exemple EN 837-2 "Recommandations sur le choix et l'installation des manomètres").

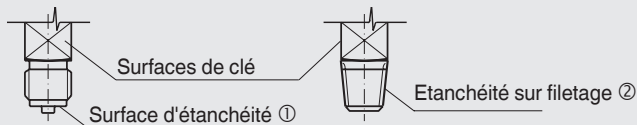
Les instruments doivent être mis à la terre à l'aide du raccord process. C'est pourquoi des joints d'étanchéité conducteurs d'électricité doivent être utilisés sur le raccord process. Comme alternative, prendre d'autres mesures pour la mise à la terre. Les mesures de mise à la terre installées en usine (par exemple des points de soudure ou des fusibles à plaque) doivent donc être utilisées pour intégrer les instruments dans le système de liaison équipotentielle, et ne doivent en aucun cas être supprimées. Assurez-vous que les mesures de mise à la terre sont bien réinstallées après le démontage (par exemple lors du remplacement de l'instrument).

Lors du montage des instruments, la force requise pour l'étanchéité ne doit pas être appliquée sur le boîtier, mais seulement sur les surfaces de clé prévues, et ce avec un outil approprié.



Montage avec clé plate

Pour les filetages parallèles, utiliser des joints d'étanchéité plats, des bagues d'étanchéité de type lentille ou des joints à écrasement WIKA sur la face d'étanchéité ①. Pour des filetages coniques (par exemple des filetages NPT), l'étanchéité doit se faire sur les filetages ② en utilisant un matériau d'étanchéité approprié (EN 837-2).



5. Mise en service, utilisation

Le couple de serrage dépend du joint d'étanchéité utilisé. Pour orienter l'instrument de mesure de sorte qu'il puisse être consulté aussi bien que possible, un raccordement avec un manchon de serrage ou un écrou-chapeau doit être utilisé. Au cas où un instrument est équipé d'une paroi arrière éjectable, celle-ci doit être protégée contre un blocage par des pièces d'appareil et contre la crasse.

Installation

- Position de base selon EN 837-3 / 9.6.6 image 7: 90° (⊥)
- Raccord process vertical
- Pour les appareils remplis le levier de mise à l'atmosphère au sommet du boîtier doit être ouvert avant la mise en service !
- Pour les applications en extérieur, l'emplacement sélectionné de l'installation doit être adapté à l'indice de protection spécifié, de sorte que l'instrument ne soit pas exposé à des conditions météorologiques inadmissibles.
- Afin d'éviter tout échauffement supplémentaire, les instruments ne doivent pas être exposés directement aux rayons du soleil pendant le fonctionnement !
- Pour s'assurer que la pression sera évacuée du boîtier en toute sécurité en cas de défaillance, il est nécessaire d'installer les appareils avec évent de sécurité ou paroi arrière éjectable à une distance minimale de 20 mm minimum par rapport à tout autre objet.

Exigences relatives au point de montage

Si la conduite à l'instrument de mesure n'est pas suffisamment stable, il est recommandé de fixer l'instrument au moyen d'une potence de fixation appropriée. S'il n'est pas possible d'éviter les vibrations par un montage approprié, il convient d'utiliser des instruments remplis. Les instruments doivent être protégés contre un encrassement important et contre les fluctuations de la température ambiante.

Contrainte de vibration admissible sur le point de montage

L'instrument ne doit être installé que dans des endroits exempts de vibrations. Si nécessaire, il est possible d'isoler l'instrument du lieu d'installation en utilisant par exemple une ligne de raccordement flexible entre le point de mesure et l'instrument et en fixant ce dernier à l'aide d'un support d'instrument mural.

Lorsque cela n'est pas possible, veiller à ce que les valeurs limites suivantes ne soient pas dépassées:

- Plage de fréquence < 150 Hz
- Accélération < 0,5 g (5 m/s²)

Raccord pour test

Dans des applications spécifiques (par exemple chaudières à vapeur), les robinets d'arrêt doivent avoir un raccord pour test, de sorte que l'instrument puisse être testé sans être démonté.

5. Mise en service, utilisation

Charge de température

L'installation de l'instrument doit être faite de telle sorte que la température de fonctionnement admissible, compte tenu également des effets de convection et de rayonnement thermique, ne dépasse ni ne tombe au-dessous des limites admissibles. Ainsi, l'instrument et le dispositif d'isolement doivent être protégés par des conduites de mesure ou des siphons suffisamment longs.

L'influence de la température sur la précision de l'indication et de la mesure doit être considérée.



AVERTISSEMENT !

La température de surface maximale réelle ne dépend pas de l'équipement lui-même, mais principalement des conditions de fonctionnement. Avec les substances gazeuses, la température pourrait augmenter à la suite d'un échauffement de compression. Dans ces cas-là, il peut s'avérer nécessaire d'accélérer le taux de changement de pression ou de réduire la température du fluide admissible.

Mise en service du robinet d'équilibrage de pression

Les instruments équipés d'un robinet d'équilibrage de pression doivent, après l'installation, être mis à l'atmosphère pour obtenir une compensation de pression interne.

Outil : clé plate SW 9

1. Retirer le capuchon en plastique
2. Desserrer la connexion filetée au-dessus du corps du robinet
3. Visser à fond le corps du robinet, tourné à 180°, avec un couple $\leq 4,5$ Nm

Pour obtenir des informations concernant l'indice de protection, voir les Informations techniques IN 00.18.

Protection des éléments de pression de la surcharge

Si le fluide est soumis à des changements rapides de pression, ou si des pics de pression sont attendus, alors ceux-ci ne doivent pas agir directement sur l'élément de pression. Les effets des pics de pression doivent être amortis, par exemple par l'installation d'un étranglement (réduction de section transversale dans le canal de pression) ou par le biais de l'addition d'un dispositif d'amortissement réglable.

Point de mesure de la pression

Le point de mesure de la pression doit être disposé avec un alésage aussi grand que possible (≥ 6 mm) au moyen d'un dispositif d'arrêt, de sorte que la mesure de la pression ne soit pas rendue erronée par un écoulement dans le fluide. La conduite de mesure entre les points de mesure de la pression et l'instrument doit avoir un diamètre interne suffisamment grand pour empêcher un blocage et un retard dans la transmission de la pression.

Gaine

Les conduites de mesure doivent être aussi courtes que possible et être disposées sans angles aigus afin d'éviter tout retard perturbant. Lors du placement de ces conduites, on recommande une inclinaison régulière d'environ 1:15.

La conduite de mesure doit être conçue et installée de façon à ce que les charges se produisant en raison d'expansion, de vibration et d'effets thermiques puissent être absorbées. Avec des fluides gazeux, un drainage doit être fourni au point le plus bas ; avec des fluides liquides, une mise à l'atmosphère doit être fournie au point le plus haut.

La position de montage des instruments de mesure doit être choisie conformément à la norme EN 837-1, avec une inclinaison max. de 5° sur tous les côtés.

Avant la mise en service



Après la mise en service









FR

5. Mise en service, utilisation

Installations de mesure

Installations de mesure éprouvées pour différents types de fluides.

Remplissage de la conduite de mesure	Fluides liquides			Fluides gazeux		
	liquide	liquide avec vapeur	complètement vaporisé	gazeux	partiellement condensé (humide)	complètement condensé
Exemples	condensat	Liquides bouillants	"gaz liquéfiés"	air sec	air humide gaz de combustion	vapeur
Manomètre au-dessus du point de mesure						
Manomètre en-dessous du point de mesure						

5.2 Raccordement électrique

Les travaux de raccordement électrique ne doivent être effectués que par des personnels qualifiés. L'affectation des branchements et les fonctions de commutation sont indiquées sur la plaque signalétique. Les bornes de raccordement ainsi que la borne de terre sont marquées en conséquence. L'instrument est à inclure dans la compensation de potentiel de l'installation. L'instrument ne devra être utilisé qu'avec l'amplificateur isolant correspondant (voir chapitre 9.4, type 904.xx).

Données de performance (voir chapitre 9 „Spécifications“)

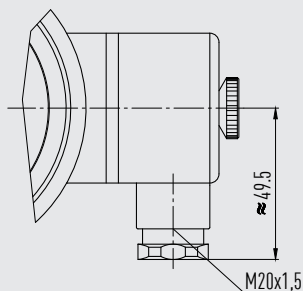
Consignes de sécurité pour l'installation

- Installer les instruments conformément aux instructions du fabricant et aux normes et réglementations en vigueur.
- Ne raccorder que des circuits ayant la même tension et le même type de protection aux contacts électriques et aux câbles de raccordement.
- Déterminer la taille des câbles de raccordement pour la plus grande intensité de courant électrique dans les circuits et s'assurer que la résistance aux rayons UV et aux contraintes mécaniques soit suffisante.
- Pour les câbles de raccordement flexibles, utiliser des embouts isolés. Section de conducteur max. admissible 1,5 mm².
- Les câbles de raccordement doivent être conformes à la plage de température ambiante de l'application.

5. Mise en service, utilisation

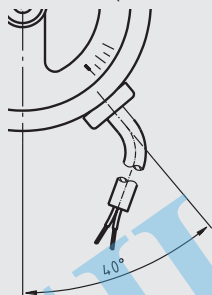
- Les câbles de raccordement doivent également être adaptés au passe-câble à vis fourni (gamme de diamètres voir ci-dessous).

Boîtier de raccordement standard (diam. 100 et 160)



Utiliser seulement un câble ayant un diamètre de 7 à 13 mm

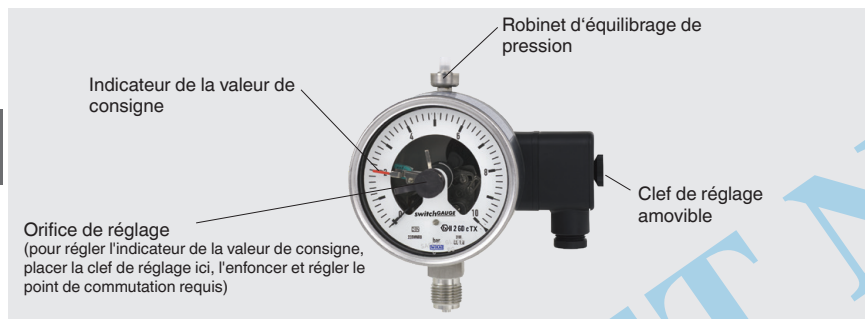
Sortie de câble (diam. 50 et 63)



- Sceller l'entrée de câble avec les presse-étoupes homologués adéquats.
- Installer les câbles de raccordement en toute sécurité.

5.3 Réglage de la valeur de consigne

Le réglage des valeurs de consigne s'effectue au moyen du verrouillage des réglages dans le voyant à l'aide de la clé de réglage (fournie dans la livraison ; elle se trouve, sur les modèles standards, sur le côté de la prise de câble).



Les indicateurs de la valeur de consigne pour les contacts inductifs sont librement réglables sur toute l'échelle de mesure. Pour des raisons de précision et de sécurité de commutation, et afin de ne pas porter préjudice à la durée de vie des instruments, il est recommandé de fixer les points de seuil entre 10 % et 90 % de l'échelle de mesure.

5.4 Mise en service

Il faut absolument éviter des afflux soudains de pression, ouvrir par conséquent entement les robinets d'isolement.

6. Dysfonctionnements



DANGER !

Danger d'explosion vital

Le travail en atmosphère inflammable peut donner lieu à une explosion avec risque de mort.

- ▶ Rectifier les défauts uniquement en atmosphères non-inflammables !



ATTENTION !

Blessures physiques, dommages aux équipements et à l'environnement

Si les défauts ne peuvent pas être éliminés au moyen des mesures listées, l'instrument doit être mis hors service immédiatement.

- ▶ S'assurer que la pression ou le signal n'est plus présent et protéger contre une mise en service accidentelle.
- ▶ Contacter le fabricant.
- ▶ S'il est nécessaire de retourner l'instrument au fabricant, respecter les indications mentionnées au chapitre 8.2 "Retour".

6. Dysfonctionnements



AVERTISSEMENT !

Blessures physiques et dommages aux équipements et à l'environnement causés par un fluide dangereux

Lors du contact avec un fluide dangereux (par ex. oxygène, acétylène, substances inflammables ou toxiques), un fluide nocif (par ex. corrosif, toxique, cancérigène, radioactif), et également avec des installations de réfrigération et des compresseurs, il y a un danger de blessures physiques et de dommages aux équipements et à l'environnement.

En cas d'erreur, des fluides agressifs peuvent être présents à une température extrême et sous une pression élevée ou sous vide au niveau de l'instrument.

- ▶ Pour ces fluides, les codes et directives appropriés existants doivent être observés en plus des réglementations standards.
- ▶ Porter l'équipement de protection requis.

FR



Pour le détail des contacts voir le chapitre 1 "Généralités" ou au dos du mode d'emploi.

Dysfonctionnements	Raisons	Mesures
Le contact ne commute plus en conformité avec la spécification.	Le raccordement électrique est interrompu.	Effectuer un test de continuité sur les lignes de raccordement électrique.
	L'alimentation ne convient pas pour le type de contact électrique.	Verifier l'alimentation admissible pour ce type de contact électrique.
	Contact contaminé.	
Le dispositif de protection contre les courants de défaut pour le circuit est déclenché.	Erreur d'isolation	Remplacer l'instrument.
Rebondissement de contact (répété, ouverture et fermeture de courte durée).	Vibrations	Isoler l'instrument mécaniquement.
L'aiguille ne bouge pas malgré un changement au niveau de la pression.	Mouvement bloqué.	Remplacer l'instrument.

Pour échanger l'instrument, voir les dispositions des chapitres 8 "Démontage, retour et mise au rebut" et 5 "Mise en service, utilisation".

7. Entretien et nettoyage

7. Entretien et nettoyage

7.1 Entretien

Les instruments ne requièrent aucun entretien.

Un contrôle de l'affichage et de la fonction de commutation est recommandé 1 à 2 fois/an.

Le test peut être effectué séparément par rapport au process au moyen d'un appareil de test de pression.

Test d'instruments remplis de liquide

Pour des instruments remplis, le niveau de remplissage doit être contrôlé une ou deux fois par an. Le niveau de remplissage de liquide ne doit pas descendre en-dessous de 75 % du diamètre de l'instrument.



AVERTISSEMENT !

Danger de mort dû au remplissage ou au re-remplissage non autorisés de l'instrument avec perte de la protection contre les explosions

Le remplissage ou le re-remplissage d'instruments par du personnel non autorisé conduit à une perte de la protection contre les explosions et peut provoquer des dommages sur l'instrument.

- ▶ Une réparation des instruments ne peut être effectuée que par des instances autorisées.
- ▶ S'il est nécessaire de retourner l'instrument au fabricant, respecter les indications mentionnées au chapitre 8.2 "Retour".

Les réparations ne doivent être effectuées que par le fabricant.

7.2 Nettoyage



ATTENTION !

Blessures physiques, dommages aux équipements et à l'environnement

Un nettoyage inapproprié peut conduire à des blessures physiques et à des dommages aux équipements ou à l'environnement. Les restes de fluides se trouvant dans les instruments démontés peuvent mettre en danger les personnes, l'environnement ainsi que l'installation.

- ▶ Effectuer la procédure de nettoyage comme décrit ci-dessous.

1. Avant le nettoyage, débrancher correctement l'instrument de l'alimentation, l'éteindre et le déconnecter du secteur.
2. Utiliser l'équipement de protection requis.
3. Nettoyer l'instrument avec un chiffon humide.
Eviter tout contact des raccordements électriques avec l'humidité !



ATTENTION !

Dommages sur l'instrument

Un nettoyage inapproprié peut endommager l'instrument !

- ▶ Ne pas utiliser de détergents agressifs.
- ▶ Ne pas utiliser d'objets pointus ou durs pour le nettoyage.

4. Laver et décontaminer l'instrument démonté afin de protéger les personnes et l'environnement contre le danger lié aux résidus de fluides.

8. Démontage, retour et mise au rebut



AVERTISSEMENT !

Blessures physiques et dommages aux équipements et à l'environnement liés aux résidus de fluides

Les restes de fluides se trouvant dans les instruments démontés peuvent mettre en danger les personnes, l'environnement ainsi que l'installation.

- ▶ Porter l'équipement de protection requis.
- ▶ Observer les informations de la fiche de données de sécurité du fluide correspondant.
- ▶ Laver et décontaminer l'instrument démonté afin de protéger les personnes et l'environnement contre le danger lié aux résidus de fluides.

FR

8.1 Démontage



AVERTISSEMENT !

Danger de brûlure

Durant le démontage, il y a un danger lié à l'échappement de fluides dangereusement chauds.

- ▶ Avant le démontage de l'instrument, le laisser refroidir suffisamment !



DANGER !

Danger vital à cause du courant électrique

Lors du contact avec des parties sous tension, il y a un danger vital direct.

- ▶ Le démontage de l'instrument ne doit être effectué que par du personnel qualifié.
- ▶ Retirer l'instrument une fois que le système a été isolé des sources d'énergie.



AVERTISSEMENT !

Blessure physique

Lors du démontage, le danger peut provenir de fluides agressifs et de pressions élevées.

- ▶ Observer les informations de la fiche de données de sécurité du fluide correspondant.
- ▶ Démontez l'instrument hors pression.

Si nécessaire, la conduite ou la cuve doit avoir un dispositif de détente. Sur les manomètres à membrane, les vis de blocage des brides supérieure et inférieure ne doivent pas être desserrées.

8.2 Retour

En cas d'envoi de l'instrument, il faut respecter impérativement ceci :

Tous les instruments livrés à WIKA doivent être exempts de substances dangereuses (acides, bases, solutions, etc.) et doivent donc être nettoyés avant d'être retournés.



AVERTISSEMENT !

Blessures physiques et dommages aux équipements et à l'environnement liés aux résidus de fluides

Les restes de fluides se trouvant dans les instruments démontés peuvent mettre en danger les personnes, l'environnement ainsi que l'installation.

- ▶ Avec les substances dangereuses, inclure la fiche technique de sécurité de matériau pour le fluide correspondant.
- ▶ Nettoyer l'instrument, voir chapitre 7.2 "Nettoyage".

FR

Pour retourner l'instrument, utiliser l'emballage original ou un emballage adapté pour le transport.



Des informations relatives à la procédure de retour sont disponibles sur notre site Internet à la rubrique "Services".

8.3 Mise au rebut

Une mise au rebut inadéquate peut entraîner des dangers pour l'environnement. Éliminer les composants des instruments et les matériaux d'emballage conformément aux prescriptions nationales pour le traitement et l'élimination des déchets et aux lois de protection de l'environnement en vigueur.



Ne pas mettre au rebut avec les ordures ménagères. Assurer une mise au rebut correcte en conformité avec les réglementations nationales.

9. Spécifications



DANGER !

Danger vital dû à la perte de la protection contre les explosions

Le non-respect des instructions pour utilisation en zones explosives peut conduire à la perte de la protection contre les explosions.

- ▶ Correspondre aux valeurs limites et instructions suivantes.
- ▶ Le boîtier contient des pièces fabriquées dans un matériau non-métallique qui pourraient être affectées de manière négative par les conditions ambiantes. Il faut s'assurer que les pièces non-métalliques ne sont pas endommagées en raison des conditions environnantes.

Pièces non-métalliques du boîtier

PUR, TPU, PA 6, EPDM, NBR (option), FMQ (option)

9.1 Boîtier de raccordement du câble standard (seulement diam. 100 et 160)

Boîtier de raccordement du câble, placé à droite du boîtier.

Matériau: PA 6, noir

Selon groupe d'isolation VDE 0110 C/250 V

Presse-étoupe M20 x 1,5 (tourné vers le bas) avec décharge de traction
6 bornes à vis + PE pour section transversale du conducteur de 1,5 mm²

9.2 Sortie câble (seulement diam. 50 et 63)

Longueur de câble 2 m, tourné vers le bas et vers la droite

Matériau : PVC

9.3 Contact inductif type 831

La plage de réglage des contacts recommandée est comprise entre 10 et 90 % de l'échelle de mesure (0 ... 100 % sur demande).

Version de contact (voir plaque signalétique)

- 831, seulement pour diam. 63
- 831-N
- 831-SN, exécution de sécurité ¹⁾
- 831-3.5N
- 831-3.5SN, exécution de sécurité ¹⁾
- 831-3.5S1N, exécution de sécurité ¹⁾, signal inversé

¹⁾ n'utiliser qu'avec l'amplificateur isolant correspondant (voir chapitre 9.4, type 904.3x)

9. Spécifications

Valeurs techniques de sécurité maximales

Exécution de contact	Ui	Ii	Pi	Ci	Li
831	20 V	60 mA	130 mW	250 nF	350 µH
831-N	16 V	25 mA	64 mW	30 nF	100 µH
831-SN	16 V	25 mA	64 mW	30 nF	100 µH
831-3.5N	16 V	25 mA	64 mW	50 nF	250 µH
831-3.5S1N	16 V	25 mA	64 mW	30 nF	100 µH
831-3.5SN	16 V	25 mA	64 mW	30 nF	100 µH

Plages de température admissibles

Exécution de contact	T6	T5 ... T1	T95°C	T135°C
831	-20 ... +60 °C	-20 ... +70 °C	-20 ... +70 °C	-
831-N	-20 ... +60 °C	-20 ... +70 °C	-	-20 ... +70 °C
831-SN	-20 ... +60 °C	-20 ... +70 °C	-	-20 ... +70 °C
831-3.5N	-20 ... +60 °C	-20 ... +70 °C	-	-20 ... +70 °C
831-3.5S1N	-20 ... +60 °C	-20 ... +70 °C	-	-20 ... +70 °C
831-3.5SN	-20 ... +60 °C	-20 ... +70 °C	-	-20 ... +70 °C

Pour plus d'informations, voir l'annexe : "Déclaration de conformité UE"

9.4 Amplificateurs d'isolation associés

Type	Nombre de contacts	Equipement de sécurité
904.28 KFA6 - SR2 - Ex1.W	1	non
904.29 KFA6 - SR2 - Ex2.W	2	non
904.30 KHA6 - SH - Ex1	1	oui
904.33 KFD2 - SH - Ex1	1	oui



Les amplificateurs d'isolation mentionnés plus haut sont des exemples. D'autres amplificateurs d'isolation peuvent également être utilisés, à condition que les valeurs maximales relatives à la sécurité soient respectées.

9. Spécifications

9.5 Manomètres à contact(s)

Type 111.11.050

Plages d'utilisation	
Charge statique	3/4 x valeur pleine échelle
Charge dynamique	2/3 x valeur pleine échelle
Momentanément	Valeur pleine échelle
Effet de la température	Lorsque la température du système de mesure dévie de la température de référence (+20 °C) : max. $\pm 0,4 \%$ /10 K de la valeur pleine échelle
Matériaux en contact avec le fluide	
Raccord process, élément de mesure	Alliage de cuivre
Matériaux non en contact avec le fluide	
Boîtier, lunette baïonnette	Acier inox
Mouvement	Alliage de cuivre, pièces d'usure en argentan
Cadran	Aluminium, blanc, inscriptions en caractères noirs
Aiguille de l'instrument	Plastique, noir
Indicateur de la valeur de consigne	Plastique, rouge
Voyant	Polycarbonate
Indice de protection selon CEI/EN 60529	IP54

Pour de plus amples spécifications voir la fiche technique PM 01.03

Type 131.11.050

Plages d'utilisation	
Charge statique	3/4 x valeur pleine échelle
Charge dynamique	2/3 x valeur pleine échelle
Momentanément	Valeur pleine échelle
Effet de la température	Lorsque la température du système de mesure dévie de la température de référence (+20 °C) : max. $\pm 0,4 \%$ /10 K de la valeur pleine échelle
Matériaux en contact avec le fluide	
Raccord process, élément de mesure	Acier inox 1.4571, acier inox 316L
Matériaux non en contact avec le fluide	
Boîtier, mouvement, lunette baïonnette	Acier inox
Cadran	Aluminium, blanc, inscriptions en caractères noirs
Aiguille de l'instrument	Aluminium, noir
Indicateur de la valeur de consigne	Aluminium, rouge
Voyant	Polycarbonate
Indice de protection selon CEI/EN 60529	IP54

Pour de plus amples spécifications voir la fiche technique PM 01.05

9. Spécifications

Type PGS23.063, PGS26.063

Plages d'utilisation	
Charge statique	3/4 x valeur pleine échelle
Charge dynamique	2/3 x valeur pleine échelle
Momentanément	Valeur pleine échelle
Effet de la température	
Lorsque la température du système de mesure dévie de la température de référence (+20 °C) : max. $\pm 0,4 \%$ /10 K de la valeur pleine échelle	
Matériaux en contact avec le fluide	
Raccord process, élément de mesure	PGS23.063 : acier inox 1.4571, acier inox 316L PGS26.063 : Monel
Matériaux non en contact avec le fluide	
Boîtier, mouvement, lunette baïonnette	Acier inox
Cadran	Aluminium, blanc, inscriptions en caractères noirs
Aiguille de l'instrument	Aluminium, noir
Indicateur de la valeur de consigne	Aluminium, rouge
Voyant	Verre de sécurité feuilleté
Indice de protection selon CEI/EN 60529	
IP54	

Pour de plus amples spécifications voir la fiche technique PV 22.03

Types PGS23.100, PGS23.160, PGS26.100, PGS26.160

Plages d'utilisation	
Charge statique	Valeur pleine échelle
Charge dynamique	0,9 x valeur pleine échelle
Momentanément	1,3 x valeur pleine échelle
Effet de la température	
Lorsque la température du système de mesure dévie de la température de référence (+20 °C) : max. $\pm 0,4 \%$ /10 K de la valeur pleine échelle	
Matériaux en contact avec le fluide	
Raccord process, élément de mesure	PGS23.100, PGS23.160 : acier inox 316L PGS26.100, PGS26.160 : Monel
Matériaux non en contact avec le fluide	
Boîtier, mouvement, lunette baïonnette	Acier inox
Cadran	Aluminium, blanc, inscriptions en caractères noirs
Aiguille de l'instrument	Aluminium, noir
Indicateur de la valeur de consigne	Aluminium, rouge
Voyant	Verre de sécurité feuilleté
Indice de protection selon CEI/EN 60529	
IP65 ¹⁾ ; option : IP66	

1) Indice de protection IP54 avec exécution de sécurité et raccord arrière excentré.

Pour de plus amples spécifications voir la fiche technique PV 22.02

9. Spécifications

Types PGS43.100, PGS43.160

Plages d'utilisation	
Charge statique	Valeur pleine échelle
Charge dynamique	0,9 x valeur pleine échelle
Momentanément	5 x valeur pleine échelle, mais maximum 40 bar
Effet de la température	
Lorsque la température du système de mesure dévie de la température de référence (+20 °C) : max. $\pm 0,8 \%$ /10 K de la valeur pleine échelle	
Matériaux en contact avec le fluide	
Raccord process avec bride de mesure inférieure	Acier inox 316L
Élément de mesure	$\leq 0,25$ bar : acier inox 316L > 0,25 bar : alliage NiCr (Inconel)
Étanchéité	FPM/FKM
Matériaux non en contact avec le fluide	
Boîtier, mouvement, lunette baïonnette	Acier inox
Cadran	Aluminium, blanc, inscriptions en caractères noirs
Aiguille de l'instrument	Aluminium, noir
Indicateur de la valeur de consigne	Aluminium, rouge
Voyant	Verre de sécurité feuilleté
Indice de protection selon CEI/EN 60529	IP54

Pour de plus amples spécifications voir la fiche technique PV 24.03

Type 232.35.063

Plages d'utilisation	
Charge statique	3/4 x valeur pleine échelle
Charge dynamique	2/3 x valeur pleine échelle
Momentanément	Valeur pleine échelle
Effet de la température	
Lorsque la température du système de mesure dévie de la température de référence (+20 °C) : max. $\pm 0,4 \%$ /10 K de la valeur pleine échelle	
Matériaux en contact avec le fluide	
Raccord process, élément de mesure	Acier inox 316L
Matériaux non en contact avec le fluide	
Boîtier, mouvement, lunette baïonnette	Acier inox
Cadran	Aluminium, blanc, inscriptions en caractères noirs
Aiguille	Aluminium, noir
Voyant	Verre de sécurité feuilleté
Indice de protection selon CEI/EN 60529	IP54

Pour de plus amples spécifications voir la fiche technique PM 02.11

9. Spécifications

Types 432.56, 432.36

Plages d'utilisation	
Charge statique	Valeur pleine échelle
Charge dynamique	0,9 x valeur pleine échelle
Momentanément	40, 100 ou 400 bar
Effet de la température	
Lorsque la température du système de mesure dévie de la température de référence (+20 °C) : max. $\pm 0,8 \%$ /10 K de la valeur pleine échelle	
Matériaux en contact avec le fluide	
Raccord process avec bride de mesure inférieure	Acier inox 316L
Élément de mesure	$\leq 0,25$ bar : acier inox 316L > 0,25 bar : alliage NiCr (Inconel)
Étanchéité	FPM/FKM
Matériaux non en contact avec le fluide	
Boîtier, mouvement, lunette baïonnette	Acier inox
Cadran	Aluminium, blanc, inscriptions en caractères noirs
Aiguille de l'instrument	Aluminium, noir
Indicateur de la valeur de consigne	Aluminium, rouge
Voyant	Verre de sécurité feuilleté
Indice de protection selon CEI/EN 60529	IP54

Pour de plus amples spécifications voir la [fiche technique PV 24.07](#)

Types 532.52, 532.53 et 532.54

Plages d'utilisation	
Charge statique	Valeur pleine échelle
Charge dynamique	0,9 x valeur pleine échelle
Momentanément	Minimum 1 bar de pression absolue (pression atmosphérique), en plus 10 x la valeur pleine échelle, maximum 25 bar de pression absolue
Effet de la température	
Lorsque la température du système de mesure dévie de la température de référence (+20 °C) : max. $\pm 0,8 \%$ /10 K de la valeur pleine échelle	
Matériaux en contact avec le fluide	
Raccord process avec chambre de mesure	Acier inox 1.4571
Élément de mesure	$\leq 0,25$ bar : acier inox 1.4571 > 0,25 bar : alliage NiCr (Inconel)
Matériaux non en contact avec le fluide	
Boîtier, mouvement, lunette baïonnette	Acier inox
Cadran	Aluminium, blanc, inscriptions en caractères noirs
Aiguille	Aluminium, noir
Voyant	Verre de sécurité feuilleté
Indice de protection selon CEI/EN 60529	IP54

Pour de plus amples spécifications voir la [fiche technique PV 25.02](#)

9. Spécifications

Type 632.51

Plages d'utilisation	
Charge statique	Valeur pleine échelle
Charge dynamique	0,9 x valeur pleine échelle
Momentanément	50 x valeur pleine échelle
Effet de la température	Lorsque la température du système de mesure dévie de la température de référence (+20 °C) : max. $\pm 0,6 \%$ /10 K de la valeur pleine échelle
Matériaux en contact avec le fluide	
Raccord process avec chambre de mesure, élément de pression	Acier inox 1.4571
Étanchéité	PTFE
Matériaux non en contact avec le fluide	
Boîtier, mouvement, lunette baïonnette	Acier inox
Cadran	Aluminium, blanc, inscriptions en caractères noirs
Aiguille	Aluminium, noir
Voyant	Verre de sécurité feuilleté
Indice de protection selon CEI/EN 60529	IP54

Pour de plus amples spécifications voir la fiche technique PV 26.06

Type 736.51

Plages d'utilisation	
Charge statique	Valeur pleine échelle
Charge dynamique	0,9 x valeur pleine échelle
Momentanément	Côté Φ : 200 mbar
Effet de la température	Lorsque la température du système de mesure dévie de la température de référence (+20 °C) : max. $\pm 0,6 \%$ /10 K de la valeur pleine échelle
Matériaux en contact avec le fluide	
Raccord process, élément de pression, élément de mesure	Acier inox 1.4571
Joints d'étanchéité	PTFE et NBR
Réglage du point zéro	Acier inox
Boîtier, mouvement	Acier inox
Cadran	Aluminium, blanc, inscriptions en caractères noirs
Aiguille	Aluminium, noir
Voyant	Verre de sécurité feuilleté
Matériaux non en contact avec le fluide	
Lunette baïonnette	Acier inox
Indice de protection selon CEI/EN 60529	IP66

Pour de plus amples spécifications voir la fiche technique PM 07.08

9. Spécifications

Types DPGS43.100, DPGS43.160

Plages d'utilisation	
Charge statique	Valeur pleine échelle
Charge dynamique	0,9 x valeur pleine échelle
Momentanément	minimum 10 x valeur pleine échelle, maximum 25 bar
Effet de la température	Lorsque la température du système de mesure dévie de la température de référence (+20 °C) : max. $\pm 0,5 \%$ / 10 K de la valeur pleine échelle
Matériaux en contact avec le fluide	
Raccord process	Acier inox 316Ti (1.4571)
Élément de mesure	$\leq 0,25$ bar : acier inox 316L > 0,25 bar : alliage NiCr (Inconel)
Matériaux non en contact avec le fluide	
Boîtier, lunette baïonnette	Acier inox
Mouvement	Laiton
Cadran	Aluminium, blanc, inscriptions en caractères noirs
Aiguille	Aluminium, noir
Voyant	Verre de sécurité feuilleté
Indice de protection selon CEI/EN 60529	IP54; option: IP65

Pour de plus amples spécifications voir la fiche technique PV 27.05

Types DPGS43HP.100, DPGS43HP.160

Plages d'utilisation	
Charge statique	Valeur pleine échelle
Charge dynamique	0,9 x valeur pleine échelle
Momentanément	40, 100, 250 or 400 bar
Effet de la température	Lorsque la température du système de mesure dévie de la température de référence (+20 °C) : max. $\pm 0,5 \%$ / 10 K de la valeur pleine échelle
Matériaux en contact avec le fluide	
Raccord process avec bride de mesure inférieure	Acier inox 316L
Élément de mesure	$\leq 0,25$ bar : acier inox 1.4571 > 0,25 bar : alliage NiCr (Inconel)
Étanchéité	FPM/FKM
Matériaux non en contact avec le fluide	
Boîtier, mouvement, lunette baïonnette	Acier inox
Cadran	Aluminium, blanc, inscriptions en caractères noirs
Aiguille	Aluminium, noir
Voyant	Verre de sécurité feuilleté
Indice de protection selon CEI/EN 60529	IP54; option: IP65

Pour de plus amples spécifications voir la fiche technique PV 27.13

Contenido

1. Información general	88
2. Diseño y función	89
2.1 Resumen	.89
2.2 Descripción	.89
2.3 Alcance del suministro.	.89
3. Seguridad	90
3.1 Explicación de símbolos	.90
3.2 Uso conforme a lo previsto	.90
3.3 Uso incorrecto	.91
3.4 Responsabilidad del usuario.	.91
3.5 Cualificación del personal	.92
3.6 Personal especializado	.92
3.7 Rótulos, marcajes de seguridad	.92
3.8 Marcaje Ex.	.93
3.9 Especificación y límites de temperatura	.93
3.10 Condiciones especiales para un uso seguro (X-Conditions)	.95
4. Transporte, embalaje y almacenamiento	95
4.1 Transporte	.95
4.2 Embalaje y almacenamiento.	.96
5. Puesta en servicio, funcionamiento	96
5.1 La conexión mecánica.	.97
5.2 Conexión eléctrica	100
5.3 Ajuste de los indicadores de valor nominal	102
5.4 Puesta en servicio	102
6. Errores	102
7. Mantenimiento y limpieza	104
7.1 Mantenimiento	104
7.2 Limpieza	104
8. Desmontaje, devolución y eliminación de residuos	105
8.1 Desmontaje	105
8.2 Devolución.	105
8.3 Eliminación de residuos	106
9. Datos técnicos	107
9.1 Conector hembra para cable estándar (solo NG 100 y 160)	107
9.2 Salida de cable (solo NG 50 y 63)	107
9.3 Contacto inductivo modelo 831	107
9.4 Amplificadores de conmutación de aislamiento	108
9.5 Manómetros con contacto eléctrico	109
Anexo: Declaración de conformidad UE	115

1. Información general

1. Información general

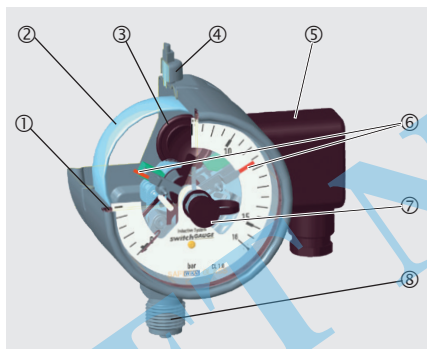
- El manómetro de contacto descrito en el manual de instrucciones está construido y fabricado según los últimos conocimientos. Todos los componentes están sometidos durante su fabricación a estrictos criterios de calidad y medioambientales. Nuestros sistemas de gestión están certificados según ISO 9001 e ISO 14001.
- Este manual de instrucciones proporciona indicaciones importantes acerca del manejo del instrumento. Para un trabajo seguro, es imprescindible cumplir con todas las instrucciones de seguridad y manejo indicadas.
- Cumplir siempre las normativas sobre la prevención de accidentes y las normas de seguridad en vigor en el lugar de utilización del instrumento.
- El manual de instrucciones es una parte integrante del instrumento y debe guardarse en la proximidad del mismo para que el personal especializado pueda consultarlo en cualquier momento.
- El personal especializado debe haber leído y entendido el manual de instrucciones antes de comenzar cualquier trabajo.
- El fabricante queda exento de cualquier responsabilidad en caso de daños causados por un uso no conforme a la finalidad prevista, la inobservancia del presente manual de instrucciones, un manejo por personal insuficientemente cualificado así como una modificación no autorizada del instrumento.
- Se aplican las condiciones generales de venta incluidas en la documentación de venta.
- Modificaciones técnicas reservadas.
- Para obtener más información consultar:
 - Página web: www.wika.es
 - Hoja técnica correspondiente: PM 01.03 (modelo 111.11.050)
PM 01.05 (modelo 131.11.050)
PV 22.02 (modelos PGS23.1x0, PGS26.1x0)
PV 22.03 (modelos PGS23.063, PGS26.063)
PV 24.03 (modelo PGS43.1x0)
PV 27.05 (modelo DPGS43.1x0)
PV 27.13 (modelo DPGS43HP.1x0)
PM 02.11 (modelo 232.35.063)
PV 24.07 (modelo 432.56)
PV 25.02 (modelo 532.54)
PV 26.06 (modelo 632.51)
PM 07.08 (modelo 736.51)

2. Diseño y función

2.1 Resumen

Ejemplo, modelo PGS23.100, versión "S1" según EN 837

- 1 Vidrio laminado de seguridad
- 2 Elemento sensible
- 3 Tapón del dispositivo de expulsión
- 4 Válvula compensadora de presión interna
- 5 Conexión eléctrica con caja de cables
- 6 Valores límite ajustables
- 7 Cierre de ajuste
- 8 Conexión a proceso



2.2 Descripción

Estos manómetros con contacto(s) inductivo(s) están especialmente diseñados para aplicaciones en zonas potencialmente explosivas. WIKA fabrica y califica estos dispositivos según EN 837 (presión relativa), DIN 16002 (presión absoluta), DIN 16003 (presión diferencial) y DIN 16085 (contactos de conmutación) en las versiones "S1" y "S3".

Versión "S1" según EN 837

Esta versión está diseñada con un dispositivo de expulsión en la caja.

Versión de seguridad "S3" según EN 837

Esta versión dispone de un cristal de seguridad laminado, una pared divisora antirotura entre el sistema de medición y la esfera así como de una pared trasera deflectora. En caso de fallo, el operador está protegido en la parte delantera, ya que los medios o componentes sólo pueden ser expulsados por la parte posterior de la caja.

Contacto eléctrico modelo 831

Los contactos eléctricos inductivos funcionan sin contacto físico, y están alimentados por un amplificador de conmutación con certificado de circuito de seguridad intrínseca. En caso de sobrepasar los valores límite ajustables, se abrirán o cerrarán sus circuitos de salida.

2.3 Alcance del suministro

Comparar mediante el albarán si se han entregado todas las piezas.

3. Seguridad

3.1 Explicación de símbolos



¡ADVERTENCIA!

... señala una situación probablemente peligrosa que puede causar la muerte o lesiones graves si no se evita.



¡CUIDADO!

... señala una situación probablemente peligrosa que puede causar lesiones leves o medianas o daños materiales y del medio ambiente si no se evita.



¡PELIGRO!

... identifica los peligros causados por la corriente eléctrica. La no observancia de las instrucciones de seguridad puede resultar en lesiones graves o la muerte.



¡ADVERTENCIA!

... indica una situación probablemente peligrosa en una zona potencialmente explosiva que causa la muerte o lesiones graves si no se evita.



¡ADVERTENCIA!

... señala una situación de peligro que puede provocar quemaduras causadas por superficies o líquidos calientes si no se evita.



Información

... destaca consejos y recomendaciones útiles así como informaciones para una utilización eficiente y libre de errores.

3.2 Uso conforme a lo previsto

Los instrumentos sirven para controlar y regular valores de proceso, así como para monitorización de instalaciones y conexión de circuitos en aplicaciones industriales. El manómetro de contacto, posible hasta con 3 contactos modelo 831 integrados, indica la presión de proceso in situ y abre/cierra los circuitos con valores de presión definidos.

El instrumento ofrece numerosas opciones para medios gaseosos y líquidos, agresivos, de baja viscosidad y no cristalizantes.

Utilizar el instrumento únicamente en aplicaciones que están dentro de sus límites de rendimiento técnicos (por ej. límites de temperatura, compatibilidad de materiales, ...).

→ Para límites de rendimiento véase el capítulo 9 "Datos técnicos".

El instrumento ha sido diseñado y construido únicamente para la finalidad aquí descrita y debe utilizarse en conformidad a la misma.

No se admite ninguna reclamación debido a un manejo no adecuado.

3.3 Uso incorrecto



¡ADVERTENCIA!

Lesiones por uso incorrecto

El uso incorrecto del dispositivo puede causar lesiones graves o la muerte.

- ▶ Abstenerse de realizar modificaciones no autorizadas del dispositivo.
- ▶ No utilizar el instrumento para medios abrasivos ni viscosos.
Con la excepción de los manómetros de membrana (modelo PGS43, 432.56) con membrana especialmente recubierta (abrasiva) o versiones con brida de conexión abierta (viscosa).

Cualquier uso que no sea el previsto para este dispositivo es considerado como uso incorrecto.

3.4 Responsabilidad del usuario

El dispositivo se utiliza en el sector industrial. Por lo tanto, el usuario está sujeto a las responsabilidades legales para la seguridad en el trabajo.

Se debe cumplir las notas de seguridad en este manual de instrucciones, así como la validez de las normas de seguridad de la unidad, de prevención de accidentes y protección del medio ambiente.

El usuario está obligado a mantener la placa de identificación bien legible.

Para realizar un trabajo seguro en el instrumento el usuario ha de asegurarse de que,

- esté disponible un kit de primeros auxilios que siempre esté presente y ayude en caso necesario.
- los operadores reciban periódicamente instrucciones, sobre todos los temas referidos a seguridad de trabajo, primeros auxilios y protección del medio ambiente, y conozcan además el manual de instrucciones y en particular las instrucciones de seguridad del mismo.
- el instrumento sea adecuado de acuerdo con el uso previsto para la aplicación.
- que el equipo de protección personal esté disponible.



Pequeñas cantidades del medio de ajuste (p. ej. aire comprimido, agua, aceite) pueden adherirse a las partes del equipo en contacto con el medio. En caso de que aumenten los requisitos técnicos de limpieza, el operador debe comprobar la idoneidad para la aplicación antes de la puesta en servicio.



Medios líquidos con propiedades de cambiar de volumen durante la solidificación pueden dañar el sistema de medición (por ejemplo, el agua si cae por debajo del punto de congelación).

3. Seguridad

3.5 Cualificación del personal



¡ADVERTENCIA!

¡Riesgo de lesiones debido a una insuficiente cualificación!

Un manejo no adecuado puede causar considerables daños personales y materiales.

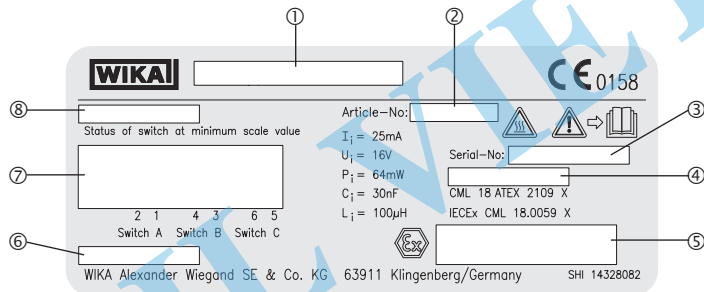
Las actividades descritas en este manual de instrucciones deben realizarse únicamente por personal especializado con la consiguiente cualificación.

3.6 Personal especializado

Debido a su formación profesional, a sus conocimientos de la técnica de regulación y medición así como a su experiencia y su conocimiento de las normativas, normas y directivas vigentes en el país de utilización el personal especializado es capaz de ejecutar los trabajos descritos y reconocer posibles peligros por sí solo.

3.7 Rótulos, marcajes de seguridad

Placa de identificación (ejemplo)



① Modelo + versión de contacto

② Código

③ Número de serie

④ Fecha de fabricación (mes/año)

⑤ Marcaje Ex

⑥ Relleno de la caja

⑦ Detalles del conexionado

⑧ Contacto eléctrico y función de conmutación



¡Es absolutamente necesario leer el manual de instrucciones antes del montaje y la puesta en servicio del instrumento!



¡Riesgo de quemaduras!

Situación probablemente peligrosa debido a superficies calientes.



El instrumento con este marcaje es un manómetro de seguridad con una pared divisora resistente a la fractura conforme a EN 837, diseño de seguridad "S3".

3. Seguridad



No eliminar en las basuras domésticas. Garantizar una eliminación correcta según las prescripciones nacionales.

3.8 Marcaje Ex



¡PELIGRO!
Peligro de muerte debido a la pérdida de la protección contra explosiones

La inobservancia del contenido y de las instrucciones puede originar la pérdida de la protección contra explosiones.

- ▶ Observe las instrucciones de seguridad en este capítulo y otras indicaciones sobre explosiones en este manual de instrucciones.
- ▶ Cumplir las indicaciones del certificado de tipo así como las normativas vigentes en el país de utilización acerca de la instalación y el uso en atmósferas potencialmente explosivas (p. ej. IEC 60079-14, NEC, CEC).

Compruebe idoneidad de la clasificación para la aplicación. Tenga en consideración las respectivas leyes y reglamentos nacionales.

Instrumentos sin revestimiento PTFE

Zona Ex	Diámetro nominal	ATEX	IECEX
Zona 1, gas	DN 50, 63, 100, 160	II 2G	Ex ia IIC T6/T5/T4 Gb
Zona 21, polvo	DN 50, 63	II 2D	Ex ia IIIB T95°C/T135°C Db
Zona 21, polvo	DN 100, 160	II 2D	Ex ia IIIB T135°C Db

Instrumentos con revestimiento PTFE

Opciones en los modelos: PGS43.1x0, 432.56

Zona Ex	ATEX	IECEX
Zona 1, gas	II 2G	Ex ia IIB T6/T5/T4 Gb

3.9 Especificación y límites de temperatura

Tipo de protección según IEC/EN 60529

Para más información sobre el tipo de protección del instrumento respectivo, véase el capítulo 9 “Datos Técnicos”. Para la evaluación IECEx se ha considerado el tipo de protección IP20.

Rango de temperatura admisible

Para determinar la temperatura máxima en el instrumento se deben tener en cuenta además de la temperatura del medio otros parámetros influyentes como, p. ej., la temperatura ambiente y si aplica, la irradiación solar.

3. Seguridad

Área clasificada por posible explosión de gas

Clase de temperatura requerida (temperatura de ignición)	Rango de temperatura admisible en el instrumento
T6	-20 ... +60 °C
T5 ... T1	-20 ... +70 °C

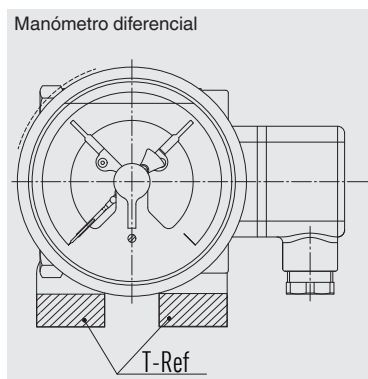
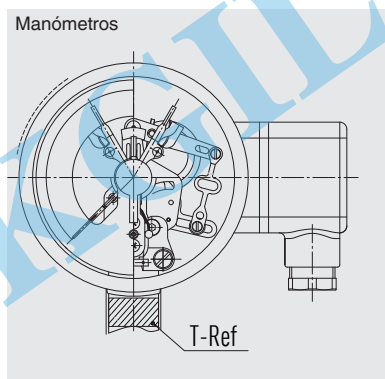
Área clasificada por posible explosión de polvo

Máxima temperatura superficial	Rango de temperatura admisible en el instrumento
T135°C	-20 ... +60 °C (+70 °C opcional)
T95 °C (solo en el NG 63)	-20 ... +60 °C (+70 °C opcional)

La instalación debe realizarse de tal forma que no se supere el rango de temperatura admisible del instrumento pero tampoco se sitúe por debajo de ella, aún teniendo en cuenta la influencia de convección y radiación térmica.

Los márgenes de temperatura admisibles de los tipos de contactos no deben sobrepasarse tampoco en el instrumento. Si es necesario, se deben tomar medidas de refrigeración (por ejemplo, sifón, válvula de instrumentación, junta de diafragma, etc.).

La empresa operadora garantizará el cumplimiento de la gama de temperaturas admisibles durante el funcionamiento. La zona que se muestra en la siguiente imagen bajo "T-Ref" puede ser utilizada para este propósito.



3.10 Condiciones especiales para un uso seguro (X-Conditions)

- i. La clase de temperatura y la temperatura ambiente máxima permitida, dependen de las opciones instaladas en el equipo y pueden no estar marcadas en la placa de identificación del equipo. El usuario deberá consultar en este certificado y en las instrucciones del equipo, los detalles de la clase de temperatura aplicable y el rango de temperatura ambiente.
- ii. El usuario debe considerar que el calor pueda transferirse por el trayecto del instrumento de medición y asegurarse que el instrumento no supere la temperatura ambiente máxima permitida. Para más información, véase el manual de instrucciones.
- iii. Los modelos que incorporan un revestimiento de PTFE pueden ser marcados solamente para uso en zonas del Grupo IIB. El usuario se asegurará de que los modelos marcados como tales no se utilicen en zonas potencialmente explosivas del Grupo IIC gas y del Grupo III polvo.
- iv. Los modelos que incorporan un revestimiento de PTFE podrán ser marcados para su uso en zonas potencialmente explosivas del Grupo IIC gas y del Grupo IIIB polvo. Esos modelos también incorporan una etiqueta de advertencia que informa al usuario sobre un posible peligro electrostático dentro del área de conexión a proceso. El usuario deberá tomar todas las precauciones necesarias para mitigar el riesgo de descarga electrostática en la conexión del proceso.
- v. El instrumento puede disponer de un cable integrado. El usuario se asegurará de que, una vez instalado, el cable quede fijado en su lugar y protegido de daños mecánicos.
- vi. En las aplicaciones del Grupo III, el revestimiento no metálico de la caja del instrumento puede generar una carga electrostática inflamable en determinadas condiciones extremas. Por esta razón, el instrumento no debe instalarse en un lugar donde las condiciones externas puedan favorecer la acumulación de carga electrostática en dichas superficies. El usuario/instalador tomará precauciones para evitar la acumulación de carga electrostática, por ejemplo, situando el equipo en un lugar donde sea improbable que haya un mecanismo de generación de carga (como el polvo arrastrado por el viento) y limpiándolo con un paño húmedo.

4. Transporte, embalaje y almacenamiento

4.1 Transporte

Comprobar si el instrumento presenta eventuales daños causados en el transporte.
Notificar daños obvios de forma inmediata.



¡CUIDADO!

Daños debidos a un transporte inadecuado

Transportes inadecuados pueden causar daños materiales considerables.

- ▶ Tener cuidado al descargar los paquetes durante la entrega o el transporte dentro de la compañía y respetar los símbolos en el embalaje.
- ▶ Observar las instrucciones en el capítulo 4.2 “Embalaje y almacenamiento” en el transporte dentro de la compañía.

4. Transporte, embalaje ... / 5. Puesta en servicio, funcionamiento



Los impactos pueden ocasionar que se formen pequeñas burbujas en el fluido de llenado de los instrumentos con relleno. Esto no perjudica el funcionamiento del instrumento.

4.2 Embalaje y almacenamiento

No quitar el embalaje hasta justo antes del montaje.

Guardar el embalaje ya que es la protección ideal durante el transporte (por. ej. si el lugar de instalación cambia o si se envía el instrumento para posibles reparaciones).

Condiciones admisibles en el lugar de almacenamiento:

Temperatura de almacenamiento: -20 ... +70 °C

Evitar lo siguiente:

- Luz solar directa o proximidad a objetos calientes
- Vibración mecánica, impacto mecánico (colocación brusca)
- Hollín, vapor, polvo y gases corrosivos
- Entorno potencialmente explosivo, atmósferas inflamables

Almacenar el instrumento en su embalaje original en un lugar que cumple las condiciones arriba mencionadas.

5. Puesta en servicio, funcionamiento

Personal: personal especializado

Antes de proceder con el montaje, la puesta en servicio y el funcionamiento asegurarse de que se haya seleccionado el instrumento adecuado en relación con rango de indicación, versión y condiciones de medición específicas.



¡ADVERTENCIA!

Lesiones corporales, daños materiales y del medio ambiente causados por medios peligrosos

En caso de contacto con medios peligrosos (p. ej. inflamables o tóxicos) medios nocivos para la salud (p. ej. corrosivos, tóxicos, cancerígenos radioactivos) y con sistemas de refrigeración o compresores existe el peligro de lesiones corporales, daños materiales y del medio ambiente.

En caso de fallo es posible que haya medios agresivos con temperaturas extremas o de bajo presión en el instrumento.

- ▶ En el tratamiento de estos medios se debe observar las reglas específicas además de las reglas generales.
- ▶ Utilizar el equipo de protección necesario.



¡ADVERTENCIA!

Lesiones corporales, daños materiales y del medio ambiente causados por escape de medios a alta presión

Cuando el instrumento está presurizado, el medio puede escapar bajo alta presión debido a un sellado deficiente de la conexión de proceso.

Debido a la alta energía del medio que se escapa en caso de avería, existe riesgo de lesiones corporales y daños materiales.

- ▶ El sellado de la conexión a proceso debe realizarse de forma profesional y se debe comprobar si presenta fugas.

5.1 La conexión mecánica

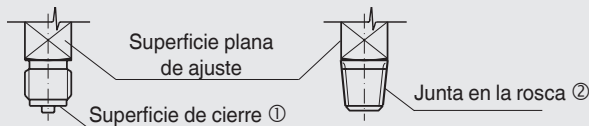
Conforme a las reglas técnicas generales para manómetros (por ejemplo EN 837-2 "Recomendaciones relativas a la selección y montaje de manómetros").

Los instrumentos deben estar conectados a tierra a través de la conexión de proceso. Por eso, se deben utilizar juntas eléctricamente conductoras en la conexión al proceso. Alternativamente pueden tomar otras medidas para la conexión a tierra. Por tal motivo, las medidas de toma de tierra procedentes de fábrica (por ejemplo, puntos de soldadura o placas de fusibles) deben utilizarse para integrar los instrumentos en el sistema de conexión equipotencial y no deben eliminarse bajo ninguna circunstancia. Asegúrese de que las medidas para la toma de tierra sean restablecidas después del desmontaje (p. ej., al cambiar el instrumento).

Para atornillar el instrumento, se debe utilizar la fuerza necesaria mediante el uso de herramientas adecuadas sobre las superficies planas de ajuste previstas para este fin. Nunca sobre la caja.



Para roscas cilíndricas deben emplearse juntas planas, arandelas de sellado o juntas perfiladas WIKAI en la superficie de sellado ①. Para roscas cónicas (p. ej., roscas NPT) el sellado se realiza en la rosca ②, con material de sellado apropiado (EN 837-2).



El par de apriete depende del tipo de sellado utilizado. Para orientar el instrumento de medición en la posición que proporcionará la mejor lectura, se recomienda una conexión con manguito de sujeción LH-LR o una tuerca loca. Si un instrumento está dotado de un dispositivo de expulsión, es necesario protegerlo de bloqueos por piezas de aparatos o suciedad.

5. Puesta en servicio, funcionamiento

Instalación

- Posición nominal según EN 837-3 / 9.6.6 ilustr 7: 90° (⊥)
- Conexión de proceso inferior
- ¡En versiones con relleno hay que abrir la válvula de ventilación en el lado superior de la caja!
- En caso de aplicación al aire libre, se debe seleccionar un lugar de instalación adecuado para el tipo de protección indicado para que el instrumento no sea sometido a influencias atmosféricas inadmisibles.
- ¡No exponer los instrumentos a la radiación solar directa durante el funcionamiento para evitar un calentamiento adicional!
- Para asegurar un alivio de presión seguro en caso de fallo, los instrumentos con dispositivo de expulsión o con pared trasera eyectable, se deben mantener a una distancia mínima de 20 mm de cualquier objeto.

Requerimientos en el lugar de instalación

Si el tubo que conecta al instrumento de medición no fuera suficientemente estable para asegurar una conexión exenta de vibraciones, se debería instalar un soporte de montaje. En el caso de no poder evitar las vibraciones mediante las instalaciones apropiadas, deben instalarse instrumentos con caja rellena de líquido. Los instrumentos deben protegerse contra contaminación y fuertes oscilaciones de la temperatura ambiente.

Carga de vibración admisible en el lugar de instalación

Instalar los instrumentos sólo en lugares sin vibraciones. Si es necesario, es posible alejar el instrumento del punto de montaje, por ejemplo, mediante un tubo flexible entre el punto de medida y el instrumento con un soporte de montaje apropiado.

Si esto no es posible, no se debe sobrepasar en ningún caso los siguientes valores límites:

Rango de frecuencias < 150 Hz

Aceleración < 0,5 g (5 m/s²)

Conexión de prueba

En determinadas aplicaciones (por ejemplo calderas de vapor), las válvulas de cierre deben poseer una conexión de prueba, a fin de poder comprobar el instrumento sin desmontarlo.

Carga de temperatura

La colocación del instrumento debe realizarse de tal forma que no se supere la temperatura de servicio admisible pero tampoco se sitúe por debajo de ella, aún teniendo en cuenta la influencia de convección y radiación térmica. Para ello, el instrumento y las válvulas de cierre deben protegerse mediante líneas de medición suficientemente largas o sifones. Hay que vigilar los efectos de la temperatura sobre la precisión del indicador o de la medición.

5. Puesta en servicio, funcionamiento



¡ADVERTENCIA!

La temperatura superficial máxima efectiva no depende del propio equipo sino principalmente de las condiciones de funcionamiento. En medios gaseosos, la temperatura puede aumentar como resultado del calentamiento por compresión. En estos casos puede ser necesario reducir la velocidad de cambio de presión o reducir la temperatura permisible del medio.

Puesta en servicio válvula compensadora de presión

Los instrumentos dotados de una válvula compensadora deben ventilarse después del montaje para la compensación de la presión interna.

Herramienta: llave de fija de SW9

1. Retirar tapón de plástico
2. Aflojar la conexión roscada sobre el cuerpo de la válvula
3. Roscar el cuerpo de la válvula girando a 180° y atornillarlo con $\leq 4,5$ Nm

Antes de la puesta en servicio



Después de la puesta en servicio



Para obtener más información sobre el grado de protección, consulte la hoja técnica IN 00.18

Protección de los elementos de medición contra sobrepresiones

Si el medio está sometido a variaciones de presión rápidas o si se esperan picos de presión, éstos no deben actuar directamente sobre el elemento sensible. Los efectos de los picos de presión deben amortiguarse, por ejemplo, mediante una sección de estrangulación (disminución de la sección en el canal de presión), o añadiendo un amortiguador de presión ajustable.

Manguito de toma de presión

El manguito de toma de presión debe disponerse con una perforación suficientemente grande (≥ 6 mm), en lo posible encima de un obturador, de tal forma que la toma de presión no resulte falseada por la circulación del medio. La línea de medición entre manguito de toma de presión y instrumento debe tener un diámetro interior suficientemente grande como para impedir obturaciones y retardos durante la transmisión de presión.

Capilar

Utilizar conductos de medición tan cortas como posible y colocarlas de forma recta para evitar retrasos perturbadores. Durante la colocación se recomienda una inclinación constante de aprox. 1:15.

El capilar o línea de medición debe estar diseñado y montado de tal modo que pueda absorber las cargas emergentes debidas a dilatación, vibración y calor. En caso de utilizarse gas como medio, debe preverse un orificio de drenaje en el punto más bajo, y en el caso de medios líquidos un purgado en el punto más alto.

Los instrumentos de medición se deben montar en la posición de montaje normal según EN 837-1, con una inclinación máxima permitida de 5° en cualquier dirección.

5. Puesta en servicio, funcionamiento

Sistemas de medición

Sistemas de medición probados para diversos tipos de sustancias a medir.

	Medios líquidos			Medios gaseosos		
Contenido del tubo de medición	Líquido	Líquido con vapor	Vapor únicamente	Gas únicamente	Gas húmedo	Condensado de gas líquido
Ejemplos	Condensado	Líquidos en ebullición	"Gases líquidos"	Aire seco	Aire húmedo Gases de combustión	Vapor de agua
Manómetro por encima del punto de medida						
Manómetro por debajo del punto de medida						

5.2 Conexión eléctrica

La conexión eléctrica sólo la puede realizar personal especializado y cualificado. Las conexiones y las funciones de conmutación están indicadas en la placa de identificación. Los terminales de conexión y el terminal de tierra están debidamente marcados. Integrar el instrumento en la conexión equipotencial de la instalación.

El instrumento sólo puede funcionar con el correspondiente amplificador aislante (véase el capítulo 9.4, modelo 904.xx).

Información de rendimiento, véase el capítulo 9 „Datos técnicos“

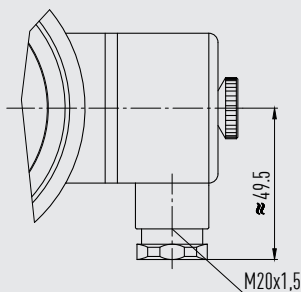
Indicaciones de seguridad para la instalación

- Instalar los instrumentos conforme a las indicaciones del fabricante y de las normas y reglamentos vigentes.
- Conectar a los contactos eléctricos y líneas de conexión del instrumento solamente circuitos eléctricos con la misma tensión o el mismo tipo de protección.
- Dimensionar los cables de conexión para el máximo amperaje de los circuitos eléctricos y asegurarse también de que la resistencia UV y la estabilidad mecánica sean suficientes.
- En caso de cables de conexión flexibles utilizar virolas aisladas. Sección de cable máxima permitida 1,5 mm².

5. Puesta en servicio, funcionamiento

- Los cables de conexión deben ser adecuados para el rango de temperatura ambiente de la aplicación.
- Los cables de conexión también deben ser adecuados para el prensaestopa suministrado (véase más abajo el rango de diámetros).

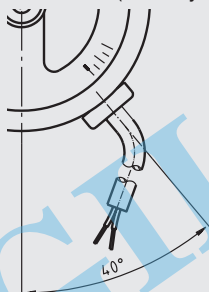
Conector hembra para cable estándar (NG 100 y 160)



14336089.01

Utilizar únicamente cables de diámetro 7 ... 13 mm

Salida de cable (NG 50 y 63)}



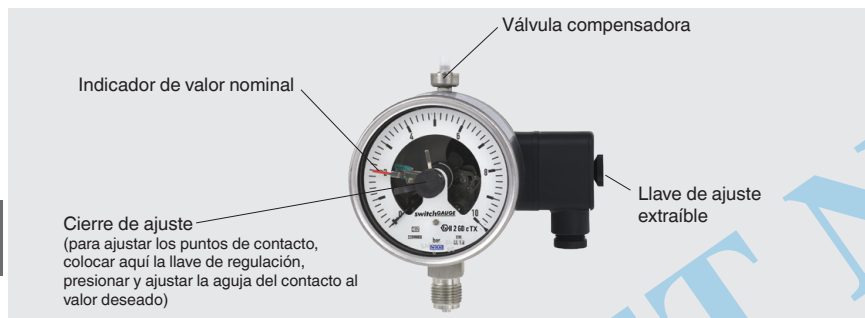
11449056.01

- Sellar las entradas de cable con prensaestopas debidamente aprobados.
- Instalar el cable de conexión de forma segura.

5. Puesta en servicio, funcionamiento / 6. Errores

5.3 Ajuste de los puntos de contacto

El ajuste de los puntos de contacto hace a través del cierre de ajuste en la mirilla, utilizando la llave de ajuste (incluido en el suministro; se encuentra en un lado de la caja de cable para versiones estándar).



Las agujas de los contactos inductivos pueden ajustarse en toda la escala. Por razones de precisión de conmutación, seguridad de alarma y vida útil de los sistemas mecánicos de medición, se recomienda fijar los puntos de conmutación entre el 10 % y el 90 % del span de medición.

5.4 Puesta en servicio

Evitar golpes de ariete, abrir lentamente las válvulas de cierre.

6. Errores



¡PELIGRO!

Peligro de muerte por explosión

El uso en atmósferas fácilmente inflamables causa peligros de explosión que pueden causar la muerte.

- ▶ ¡Eliminar defectos sólo en atmósferas no inflamables!



¡CUIDADO!

Lesiones corporales, daños materiales y del medio ambiente

Si no se pueden solucionar los defectos mencionados se debe poner el dispositivo inmediatamente fuera de servicio.

- ▶ Asegurar que el dispositivo no queda expuesto a presión o una señal y protegerlo contra usos accidentales.
- ▶ Contactar al fabricante.
- ▶ Si desea devolver el instrumento, observar las indicaciones en el capítulo 8.2 "Devolución".

6. Errores



¡ADVERTENCIA!

Lesiones corporales, daños materiales y del medio ambiente causados por medios peligrosos

En caso de contacto con medios peligrosos (p. ej. oxígeno, acetileno, inflamables o tóxicos) medios nocivos para la salud (p. ej. corrosivas, tóxicas, cancerígenas radioactivas) y con sistemas de refrigeración o compresores existe el peligro de lesiones corporales, daños materiales y del medio ambiente. En caso de fallo es posible que haya medios agresivos con temperaturas extremas o de bajo presión o que haya un vacío en el instrumento.

- ▶ En el tratamiento de estos medios se debe observar las reglas específicas además de las reglas generales.
- ▶ Utilizar el equipo de protección necesario.



Datos de contacto ver capítulo 1 "Información general" o parte posterior del manual de instrucciones.

Errores	Causas	Medidas
El contacto ya no conmuta según la especificación.	La conexión eléctrica está interrumpida.	Efectuar un control de continuidad de los cables de conexión eléctrica.
	Carga eléctrica inapropiada para el modelo de contacto eléctrico.	Tener en cuenta las cargas eléctricas admisibles del modelo de contacto eléctrico.
	Contacto sucio.	
El interruptor diferencial del circuito eléctrico se dispara.	Error de aislamiento	Sustituir el instrumento.
Rebote del contacto (apertura y cierre rápidos alternados).	Vibraciones	Desacoplar el instrumento mecánicamente.
Indicador sin movimiento a pesar del cambio de presión.	Mecanismo de medición bloqueado.	Sustituir el instrumento.

Para la sustitución del instrumento, leer el capítulo 8 "Desmontaje, devolución y eliminación de residuos" y 5 "Puesta en servicio, funcionamiento".

7. Mantenimiento y limpieza

7.1 Mantenimiento

Los instrumentos no requieren mantenimiento.

Controlar el instrumento y la función de conmutación una o dos veces al año. La prueba puede llevarse a cabo por separado del proceso con un dispositivo de prueba de presión.

Inspección de dispositivos llenos

En caso de instrumentos llenados se debe controlar el nivel de carga una o dos veces por año.

El nivel de líquido no debe caer por debajo del 75 % del diámetro del instrumento.

ES



¡ADVERTENCIA!

Peligro de muerte debido a un llenado o rellenado inadmisibles del instrumento con pérdida de la protección contra explosiones.

El llenado/rellenado del equipo por personas no autorizadas ocasionará la pérdida de la protección contra explosiones y puede resultar en daños al equipo.

- ▶ Haga reparar los aparatos sólo por personal autorizado.
- ▶ Si desea devolver el instrumento, observar las indicaciones en el capítulo 8.2 "Devolución".

Todas las reparaciones solamente las debe efectuar el fabricante.

7.2 Limpieza



¡CUIDADO!

Lesiones corporales, daños materiales y del medio ambiente

Una limpieza inadecuada provoca lesiones corporales, daños materiales y del medio ambiente. Medios residuales en el instrumento desmontado pueden causar riesgos para personas, medio ambiente e instalación.

- ▶ Realizar el proceso de limpieza tal como se describe a continuación.

1. Antes de proceder con la limpieza hay que separar debidamente el instrumento de cualquier fuente de presión, apagarlo y desenchufarlo de la red.
2. Utilizar el equipo de protección necesario.
3. Limpiar el instrumento con un trapo húmedo.

¡No poner las conexiones eléctricas en contacto con la humedad!



¡CUIDADO!

Daño al dispositivo

¡Una limpieza inadecuada puede dañar el dispositivo!

- ▶ No utilizar productos de limpieza agresivos.
- ▶ No utilizar objetos duros o puntiagudos para limpiar.

4. Enjuagar y limpiar el dispositivo desmontado para proteger a las personas y el medio ambiente contra peligros por medios residuales adherentes.

8. Desmontaje, devolución y eliminación de residuos



¡ADVERTENCIA!

Lesiones corporales, daños materiales y del medio ambiente por medios residuales

Medios residuales en el instrumento desmontado pueden causar riesgos para personas, medio ambiente e instalación.

- ▶ Utilizar el equipo de protección necesario.
- ▶ Observar la ficha de datos de seguridad correspondiente al medio.
- ▶ Enjuagar y limpiar el dispositivo desmontado para proteger a las personas y el medio ambiente contra peligros por medios residuales adherentes.

8.1 Desmontaje



¡ADVERTENCIA!

Riesgo de quemaduras

Peligro debido a medios muy calientes que se escapan durante el desmontaje.

- ▶ ¡Dejar enfriar el instrumento lo suficiente antes de desmontarlo!



¡PELIGRO!

Peligro de muerte por corriente eléctrica

Existe peligro directo de muerte al tocar piezas bajo tensión.

- ▶ El desmontaje del instrumento solo puede ser realizado por personal especializado.
- ▶ Desmontar el instrumento solo en estado de desconexión de la red.



¡ADVERTENCIA!

Lesión corporal

Al desmontar existe el peligro debido a los medios agresivos y altas presiones.

- ▶ Observar la ficha de datos de seguridad correspondiente al medio.
- ▶ Desmontar el instrumento solo si no está sometido a presión.

En caso necesario hay que destensar la línea de medición. En manómetros con membrana no se deben soltar los tornillos de sujeción de la bridas superior e inferior no deben soltarse.

8.2 Devolución

Es imprescindible observar lo siguiente para el envío del instrumento:

Todos los instrumentos enviados a WIKA deben estar libres de sustancias peligrosas (ácidos, lejías, soluciones, etc.) y, por lo tanto, deben limpiarse antes de devolver.

8. Desmontaje



¡ADVERTENCIA!

Lesiones corporales, daños materiales y del medio ambiente por medios residuales

Medios residuales en el instrumento desmontado pueden causar riesgos para personas, medio ambiente e instalación.

- ▶ En caso de sustancias peligrosas adjuntar la ficha de datos de seguridad correspondiente al medio.
- ▶ Limpieza del dispositivo, consultar el capítulo 7.2 “Limpieza”.

Utilizar el embalaje original o un embalaje adecuado para la devolución del instrumento.



Comentarios sobre el procedimiento de las devoluciones encuentra en el apartado “Servicio” en nuestra página web local.

8.3 Eliminación de residuos

Una eliminación incorrecta puede provocar peligros para el medio ambiente. Eliminar los componentes de los instrumentos y los materiales de embalaje conforme a los reglamentos relativos al tratamiento de residuos y eliminación vigentes en el país de utilización.



No eliminar en las basuras domésticas. Garantizar una eliminación correcta según las prescripciones nacionales.

9. Datos técnicos



¡PELIGRO!

Peligro de muerte debido a la pérdida de la protección contra explosiones

La inobservancia de la información para su uso en zonas potencialmente explosivas conduce a la pérdida de la protección contra explosiones.

- ▶ Observar los valores límite y las indicaciones técnicas detallados a continuación.
- ▶ La caja contiene piezas de material no metálico que pueden verse afectadas negativamente por las condiciones ambientales. Debe asegurarse de que las piezas no metálicas no se dañen debido a condiciones ambientales.

Partes no metálicas de la caja

PUR, TPU, PA 6, EPDM, NBR (opción), FMQ (opción)

9.1 Caja de conexiones para cable estándar (solo NG 100 y 160)

Conector hembra montado en el lado derecho de la caja

Material: PA 6, negro

Según VDE 0110 grupo de aislamiento C/250 V

Prensaestopa M20 x 1,5 (hacia abajo) con descarga de tracción

6 terminales de tornillo + PE para una sección de cable conductor de 1,5 mm².

9.2 Salida de cable (solo NG 50 y 63)

Longitud del cable 2 m, salida hacia abajo a la derecha

Material: PVC

9.3 Contacto inductivo modelo 831

El rango de ajuste recomendado para los contactos es de 10 90 % de la escala (0 ... 100 % bajo consulta).

Contactos (véase la placa de características)

- 831, sólo para DN 63
- 831-N
- 831-SN, versión de seguridad ¹⁾
- 831-3.5N
- 831-3.5SN, versión de seguridad ¹⁾
- 831-3.5S1N, versión de seguridad ¹⁾, señal invertida

¹⁾ el dispositivo sólo debe ser operado en combinación con un amplificador de separación adecuado (véase capítulo 9.4, modelo 904.3x).

9. Datos técnicos

Valores máximos de seguridad

Contactos	Ui	Ii	Pi	Ci	Li
831	20 V	60 mA	130 mW	250 nF	350 µH
831-N	16 V	25 mA	64 mW	30 nF	100 µH
831-SN	16 V	25 mA	64 mW	30 nF	100 µH
831-3.5N	16 V	25 mA	64 mW	50 nF	250 µH
831-3.5S1N	16 V	25 mA	64 mW	30 nF	100 µH
831-3.5SN	16 V	25 mA	64 mW	30 nF	100 µH

Rangos de temperatura admisibles

Contactos	T6	T5 ... T1	T95°C	T135°C
831	-20 ... +60 °C	-20 ... +70 °C	-20 ... +70 °C	-
831-N	-20 ... +60 °C	-20 ... +70 °C	-	-20 ... +70 °C
831-SN	-20 ... +60 °C	-20 ... +70 °C	-	-20 ... +70 °C
831-3.5N	-20 ... +60 °C	-20 ... +70 °C	-	-20 ... +70 °C
831-3.5S1N	-20 ... +60 °C	-20 ... +70 °C	-	-20 ... +70 °C
831-3.5SN	-20 ... +60 °C	-20 ... +70 °C	-	-20 ... +70 °C

Para más información, véase el anexo “Declaración de conformidad UE”

9.4 Amplificadores de conmutación de aislamiento

Modelo	Nº de contactos	Versión segura
904.28 KFA6 - SR2 - Ex1.W	1	no
904.29 KFA6 - SR2 - Ex2.W	2	no
904.30 KHA6 - SH - Ex1	1	sí
904.33 KFD2 - SH - Ex1	1	sí



Los amplificadores de aislamiento anteriormente mencionados son un ejemplo. También pueden utilizarse otros amplificadores de aislamiento, siempre que se respeten los valores máximos de seguridad.

9. Datos técnicos

9.5 Manómetros con contacto eléctrico

Modelo 111.11.050

Carga de presión máxima	
Carga estática	3/4 x valor final de escala
Carga dinámica	2/3 x valor final de escala
Carga puntual	Valor final de escala
Influencia de temperatura	En caso de desviación de la temperatura de referencia en el sistema de medición (+20 °C): máx. ±0,4 %/10 K del valor final de escala correspondiente
Materiales en contacto con el medio	
Conexión a proceso, elemento sensible	Aleación de cobre
Materiales sin contacto con el medio	
Caja, aro de bayoneta	Acero inoxidable
Mecanismo	Aleación de cobre, piezas de desgaste argentan
Esfera	Aluminio, blanco, subdivisión negra
Aguja	Plástico, negro
Indicador de valor nominal	Plástico, rojo
Mirilla	Policarbonato
Tipo de protección según IEC/EN 60529	IP54

Para consultar más datos técnicos véase hoja técnica PM 01.03

Modelo 131.11.050

Carga de presión máxima	
Carga estática	3/4 x valor final de escala
Carga dinámica	2/3 x valor final de escala
Carga puntual	Valor final de escala
Influencia de temperatura	En caso de desviación de la temperatura de referencia en el sistema de medición (+20 °C): máx. ±0,4 %/10 K del valor final de escala correspondiente
Materiales en contacto con el medio	
Conexión a proceso, elemento sensible	Acero inoxidable 1.4571, acero inoxidable 316L
Materiales sin contacto con el medio	
Caja, mecanismo, aro de bayoneta	Acero inoxidable
Esfera	Aluminio, blanco, subdivisión negra
Aguja	Aluminio, negro
Indicador de valor nominal	Aluminio, rojo
Mirilla	Policarbonato
Tipo de protección según IEC/EN 60529	IP54

Para consultar más datos técnicos véase hoja técnica PM 01.05

9. Datos técnicos

Modelo PGS23.063, PGS26.063

Carga de presión máxima	
Carga estática	3/4 x valor final de escala
Carga dinámica	2/3 x valor final de escala
Carga puntual	Valor final de escala
Influencia de temperatura	En caso de desviación de la temperatura de referencia en el sistema de medición (+20 °C): máx. $\pm 0,4 \%$ /10 K del valor final de escala correspondiente
Materiales en contacto con el medio	
Conexión a proceso, elemento sensible	PGS23.063: acero inoxidable 1.4571, acero inoxidable 316L PGS26.063: Monel
Materiales sin contacto con el medio	
Caja, mecanismo, aro de bayoneta	Acero inoxidable
Esfera	Aluminio, blanco, subdivisión negra
Aguja	Aluminio, negro
Indicador de valor nominal	Aluminio, rojo
Mirilla	Vidrio laminado de seguridad
Tipo de protección según IEC/EN 60529	IP54

Para consultar más datos técnicos véase hoja técnica PV 22.03

Modelos PGS23.100, PGS23.160, PGS26.100, PGS26.160

Carga de presión máxima	
Carga estática	Valor final de escala
Carga dinámica	0,9 x valor final de escala
Carga puntual	1,3 x valor final de escala
Influencia de temperatura	En caso de desviación de la temperatura de referencia en el sistema de medición (+20 °C): máx. $\pm 0,4 \%$ /10 K del valor final de escala correspondiente
Materiales en contacto con el medio	
Conexión a proceso, elemento sensible	PGS23.100, PGS23.160: acero inoxidable 316L PGS26.100, PGS26.160: Monel
Materiales sin contacto con el medio	
Caja, mecanismo, aro de bayoneta	Acero inoxidable
Esfera	Aluminio, blanco, subdivisión negra
Aguja	Aluminio, negro
Indicador de valor nominal	Aluminio, rojo
Mirilla	Vidrio laminado de seguridad
Tipo de protección según IEC/EN 60529	IP65 ¹⁾ ; opción: IP66

1) Grado de protección IP54 para versión de seguridad y posición de conexión trasera inferior descentrada.

Para consultar más datos técnicos véase hoja técnica PV 22.02

9. Datos técnicos

Modelos PGS43.100, PGS43.160

Carga de presión máxima	
Carga estática	Valor final de escala
Carga dinámica	0,9 x valor final de escala
Carga puntual	5 x valor final de escala, pero máx. 40 bar
Influencia de temperatura	
En caso de desviación de la temperatura de referencia en el sistema de medición (+20 °C): máx. $\pm 0,8 \%$ /10 K del valor final de escala correspondiente	
Materiales en contacto con el medio	
Conexión a proceso con brida inferior	Acero inoxidable 316L
Elemento sensible	$\leq 0,25$ bar: acero inoxidable 316L > 0,25 bar: Aleación de acero inoxidable (Inconel)
Junta	FPM/FKM
Materiales sin contacto con el medio	
Caja, mecanismo, aro de bayoneta	Acero inoxidable
Esfera	Aluminio, blanco, subdivisión negra
Aguja	Aluminio, negro
Indicador de valor nominal	Aluminio, rojo
Mirilla	Vidrio laminado de seguridad
Tipo de protección según IEC/EN 60529	IP54

Para consultar más datos técnicos véase hoja técnica PV 24.03

Modelo 232.35.063

Carga de presión máxima	
Carga estática	3/4 x valor final de escala
Carga dinámica	2/3 x valor final de escala
Carga puntual	Valor final de escala
Influencia de temperatura	
En caso de desviación de la temperatura de referencia en el sistema de medición (+20 °C): máx. $\pm 0,4 \%$ /10 K del valor final de escala correspondiente	
Materiales en contacto con el medio	
Conexión a proceso, elemento sensible	Acero inoxidable 316L
Materiales sin contacto con el medio	
Caja, mecanismo, aro de bayoneta	Acero inoxidable
Esfera	Aluminio, blanco, subdivisión negra
Aguja	Aluminio, negro
Mirilla	Vidrio laminado de seguridad
Tipo de protección según IEC/EN 60529	IP54

Para consultar más datos técnicos véase hoja técnica PV 02.11

9. Datos técnicos

Modelos 432.56, 432.36

Carga de presión máxima	
Carga estática	Valor final de escala
Carga dinámica	0,9 x valor final de escala
Carga puntual	40, 100 ó 400 bar
Influencia de temperatura	En caso de desviación de la temperatura de referencia en el sistema de medición (+20 °C): máx. $\pm 0,8 \%$ /10 K del valor final de escala correspondiente
Materiales en contacto con el medio	
Conexión a proceso con brida inferior	Acero inoxidable 316L
Elemento sensible	$\leq 0,25$ bar: acero inoxidable 316L > 0,25 bar: Aleación de acero inoxidable (Inconel)
Junta	FPM/FKM
Materiales sin contacto con el medio	
Caja, mecanismo, aro de bayoneta	Acero inoxidable
Esfera	Aluminio, blanco, subdivisión negra
Aguja	Aluminio, negro
Indicador de valor nominal	Aluminio, rojo
Mirilla	Vidrio laminado de seguridad
Tipo de protección según IEC/EN 60529	IP54

Para consultar más datos técnicos véase hoja técnica PV 24.07

Modelos 532.52, 532.53 y 532.54

Carga de presión máxima	
Carga estática	Valor final de escala
Carga dinámica	0,9 x valor final de escala
Carga puntual	Por lo menos 1 bar de presión absoluta (presión atmosférica), además de 10 veces el valor final de escala, pero máx. 25 bar de presión absoluta
Influencia de temperatura	En caso de desviación de la temperatura de referencia en el sistema de medición (+20 °C): máx. $\pm 0,8 \%$ /10 K del valor final de escala correspondiente
Materiales en contacto con el medio	
Conexión a proceso con cámara de medición	Acero inoxidable 1.4571
Elemento sensible	$\leq 0,25$ bar: Acero inoxidable 1.4571 > 0,25 bar: Aleación de acero inoxidable (Inconel)
Materiales sin contacto con el medio	
Caja, mecanismo, aro de bayoneta	Acero inoxidable
Esfera	Aluminio, blanco, subdivisión negra
Aguja	Aluminio, negro
Mirilla	Vidrio laminado de seguridad
Tipo de protección según IEC/EN 60529	IP54

Para consultar más datos técnicos véase hoja técnica PV 25.02

9. Datos técnicos

Modelo 632.51

Carga de presión máxima	
Carga estática	Valor final de escala
Carga dinámica	0,9 x valor final de escala
Carga puntual	50 x valor final de escala
Influencia de temperatura	En caso de desviación de la temperatura de referencia en el sistema de medición (+20 °C): máx. $\pm 0,6 \%$ /10 K del valor final de escala correspondiente
Materiales en contacto con el medio	
Conexión a proceso con cámara de medición, elemento sensible	Acero inoxidable 1.4571
Junta	PTFE
Materiales sin contacto con el medio	
Caja, mecanismo, aro de bayoneta	Acero inoxidable
Esfera	Aluminio, blanco, subdivisión negra
Aguja	Aluminio, negro
Mirilla	Vidrio laminado de seguridad
Tipo de protección según IEC/EN 60529	IP54

Para consultar más datos técnicos véase hoja técnica PV 26.06

Modelo 736.51

Carga de presión máxima	
Carga estática	Valor final de escala
Carga dinámica	0,9 x valor final de escala
Carga puntual	Φ -página: 200 mbar
Influencia de temperatura	En caso de desviación de la temperatura de referencia en el sistema de medición (+20 °C): máx. $\pm 0,6 \%$ /10 K del valor final de escala correspondiente
Materiales en contacto con el medio	
Conexión a proceso, elemento sensible, célula de medición	Acero inoxidable 1.4571
Sellado	PTFE y NBR
Ajuste del punto cero	Acero inoxidable
Caja, mecanismo	Acero inoxidable
Esfera	Aluminio, blanco, subdivisión negra
Aguja	Aluminio, negro
Mirilla	Vidrio laminado de seguridad
Materiales sin contacto con el medio	
Aro bayoneta	Acero inoxidable
Tipo de protección según IEC/EN 60529	IP66

Para consultar más datos técnicos véase hoja técnica PM 07.08

9. Datos técnicos

Modelos DPGS43.100, DPGS43.160

Carga de presión máxima	
Carga estática	Valor final de escala
Carga dinámica	0,9 x valor final de escala
Carga puntual	por lo menos 10 veces el valor final de escala, pero máx. 25 bar
Influencia de temperatura	
En caso de desviación de la temperatura de referencia en el sistema de medición (+20 °C): máx. $\pm 0,5 \%$ /10 K del valor final de escala correspondiente	
Materiales en contacto con el medio	
Conexión a proceso	Acero inoxidable 316Ti (1.4571)
Elemento sensible	$\leq 0,25$ bar: acero inoxidable 316L > 0,25 bar: Aleación de acero inoxidable (Inconel)
Materiales sin contacto con el medio	
Caja, aro de bayoneta	Acero inoxidable
Mecanismo	Latón
Esfera	Aluminio, blanco, subdivisión negra
Aguja	Aluminio, negro
Mirilla	Vidrio laminado de seguridad
Tipo de protección según IEC/EN 60529	IP54; opción: IP65

Para consultar más datos técnicos véase hoja técnica PV 27.05

Modelos DPGS43HP.100, DPGS43HP.160

Carga de presión máxima	
Carga estática	Valor final de escala
Carga dinámica	0,9 x valor final de escala
Carga puntual	40, 100, 250 o 400 bar
Influencia de temperatura	
En caso de desviación de la temperatura de referencia en el sistema de medición (+20 °C): máx. $\pm 0,5 \%$ /10 K del valor final de escala correspondiente	
Materiales en contacto con el medio	
Conexión a proceso con brida inferior	Acero inoxidable 316L
Elemento sensible	$\leq 0,25$ bar: Acero inoxidable 1.4571 > 0,25 bar: Aleación de acero inoxidable (Inconel)
Junta	FPM/FKM
Materiales sin contacto con el medio	
Caja, mecanismo, aro de bayoneta	Acero inoxidable
Esfera	Aluminio, blanco, subdivisión negra
Aguja	Aluminio, negro
Mirilla	Vidrio laminado de seguridad
Tipo de protección según IEC/EN 60529	IP54; opción: IP65

Para consultar más datos técnicos véase hoja técnica PV 27.13



EU-Konformitätserklärung EU Declaration of Conformity

Dokument Nr.: 14336002.01
Document No.:

Wir erklären in alleiniger Verantwortung, dass die mit CE gekennzeichneten Produkte
We declare under our sole responsibility that the CE marked products


Typenbezeichnungen (vollständige Typenliste siehe Anhang): 111, 131, 232, 432, 433, 532, 533, 562, 563, 632, 736, APGT43, DPGS43, DPGS43HP, DPGT43, DPGT43HP, PGS21, PGS23, PGS26, PGS43, PGT23, PGT26, PGT43, PGT43HP, PGT63HP
Type Designations (refer to annex for exhaustive list of types):

Beschreibung: Manometer mit elektrischem Ausgang
Description: Pressure gauges with electrical output

gemäß gültigen Datenblättern: Siehe Anhang
according to the valid data sheets: Refer to annex

die wesentlichen Schutzanforderungen der folgenden Richtlinien erfüllen:
comply with the essential protection requirements of the directives:

Harmonisierte Normen:
Harmonized standards:

2011/65/EU	Gefährliche Stoffe (RoHS) Hazardous substances (RoHS)	EN 50581:2012
2014/68/EU	Druckgeräterichtlinie (DGRL) ⁽¹⁾ Pressure Equipment Directive (PED) ⁽¹⁾	EN 61326-1:2013 ⁽²⁾ EN 61326-2-3:2013 ⁽²⁾ EN 60947-5-2:2007 +A1:2012 ⁽³⁾ EN 60947-5-6:2000 ⁽³⁾
2014/30/EU	Elektromagnetische Verträglichkeit (EMV) ^(2, 3) Electromagnetic Compatibility (EMC) ^(2, 3)	
2014/34/EU	Explosionsschutz (ATEX) ⁽⁴⁾ Explosion protection (ATEX) ⁽⁴⁾	
	 II 2G Ex ia IIC T6/T5/T4 Gb II 2D Ex ia IIB T85°C/T95°C/T100°C/T135°C Db II 2G Ex ia IIB T6/T5/T4 Gb ⁽⁵⁾	EN 60079-0:2012 +A11:2013 EN 60079-11:2012


- (1) Für Modelle mit PS ≥ 200 bar; Modul A, druckhaltendes Ausrüstungsteil
For models with PS ≥ 200 bar; Module A, pressure accessory
- (2) Für Modelle mit der Option: +892.44
For models with the option:
- (3) Für Modelle mit mindestens einer der Optionen: +831, +831-
For models with at least one of the options:
- (4) EU-Baumusterprüfbescheinigung CML 18ATEX2109X von CML B.V., Amsterdam (Reg.-Nr. 2776).
EU type-examination certificate CML 18ATEX2109X of CML B.V., Amsterdam (Reg. no. 2776).
- (5) Für Modelle mit der zusätzlichen Option: +PTFE Auskleidung
For models with the additional option: +PTFE lining

Unterschriftet für und im Namen von / Signed for and on behalf of

WIKAI Alexander Wiegand SE & Co. KG

Klingenberg, 2019-06-17


Alfred Häfner, Vice President
Process Instrumentation Pressure


Dr. Michael Glombitza, Head of Quality Management
Process Instrumentation Pressure

WIKAI Alexander Wiegand SE & Co. KG
Alexander-Wiegand-Straße 30
63911 Klingenberg
Germany

Tel. +49 9372 132-0
Fax +49 9372 132-408
E-Mail info@wika.de
www.wika.de

Kommanditgesellschaft: Sitz Klingenberg –
Anteilsgenossenschaft HGA 1819

Konkurrenzverbot:
Wika International SE - Sitz Klingenberg -
Anteilsgenossenschaft HGB 10595
Vorstand: Alexander Wiegand
Vorsitzender des Aufsichtsrats: Dr. Max Egli

16AR-02160



14336002.01, Anhang / Annex

Typenbezeichnung+Option <i>Type Designation +option</i>	+mögliche zusätzliche Option <i>+possible additional option</i>	Datenblatt <i>Data sheet</i>
111.11.050	+831-N	PM 01.03
131.11.050	+831-N	PM 01.05
232.35.063	+831 oder / or +831-*	PM 02.11
43b.c6.1x0	+831-*	+PTFE PV 24.07
5ab.5d.1x0	+831-*	PV 25.02
632.51.1x0	+831-*	PV 26.06
736.51.1x0	+831-*	PM 07.08
APGT43.1x0	+892.44	+831-*
DPGS43.1x0	+831-*	PV 27.05
DPGS43HP.1x0	+831-*	PV 27.13
DPGT43.1x0	+892.44	+831-*
DPGT43HP.1x0	+892.44	+831-*
PGS21.1x0	+831-*	PV 22.01
PGS23.063	+831 oder / or +831-*	PV 22.03
PGS23.1x0	+831-*	PV 22.02
PGS26.063	+831 oder / or +831-*	PV 22.03
PGS26.1x0	+831-*	PV 22.02
PGS43.1x0	+831-*	+PTFE PV 24.03
PGT23.1x0	+892.44	+831-*
PGT26.1x0	+892.44	+831-*
PGT43.1x0	+892.44	+831-*
PGT43HP.1x0	+892.44	+831-*
PGT63HP.1x0	+892.44	+831-*

x Nenngröße (NG) / Nominal size (NS):
0 = NG / NS 100mm; 6 = NG / NS 160mm

a Ausführung / Version:
3 = Edelstahl / stainless steel; 6 = Monel

b Gehäusefüllung / Filling status:
2 = ungefüllt / not filled; 3 = gefüllt / filled

c Gehäuseausführung / Housing
3 = Sicherheitsausführung / Safety version; 5 = Standard

d Klassengenauigkeit / Accuracy:
2 = Klasse / class 1,0; 3 = Klasse / class 1,6; 4 = Klasse / class 2,5

* Optionen für Schaltkontakte (modellabhängig) / Options for switches (depending on model):
N / SN / 3.5N / 3.5SN / 3.5S1N

WIKAL Alexander Wiegand SE & Co. KG
Alexander-Wiegand-Straße 30
63911 Klingenberg
Germany

Tel. +49 9372 132-0
Fax +49 9372 132-408
E-Mail info@wika.de
www.wika.de

Kommanditgesellschaft: Sitz Klingenberg –
Amtsgericht Aschaffenburg HRA 1919

Komplementärin:
WIKAL International SE - Sitz Klingenberg -
Amtsgericht Aschaffenburg HRB 10505
Vorstand: Alexander Wiegand
Vorsitzender des Aufsichtsrats: Dr. Max Egli

16AR-02180

KGIL VIET N

AKGIL VIET N

KGIL VIET N

WIKA subsidiaries worldwide can be found online at www.wika.com.
WIKa-Niederlassungen weltweit finden Sie online unter www.wika.de.
La liste des filiales WIKa dans le monde se trouve sur www.wika.fr.
Sucursales WIKa en todo el mundo puede encontrar en www.wika.es.



WIKa Alexander Wiegand SE & Co. KG

Alexander-Wiegand-Straße 30

63911 Klingenberg • Germany

Tel. +49 9372/132-0

Fax +49 9372/132-406

info@wika.de

www.wika.de